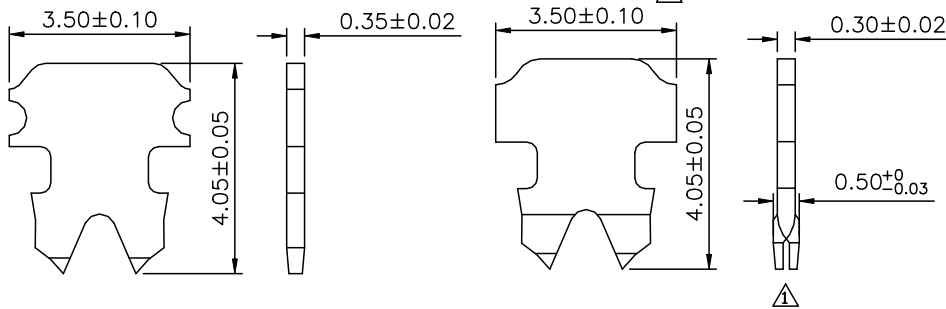
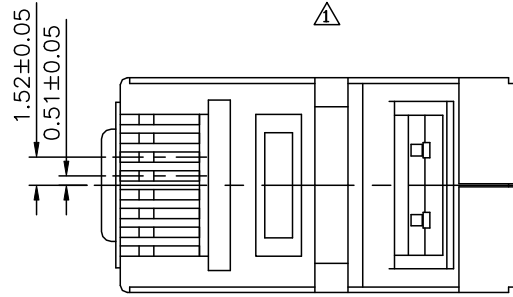
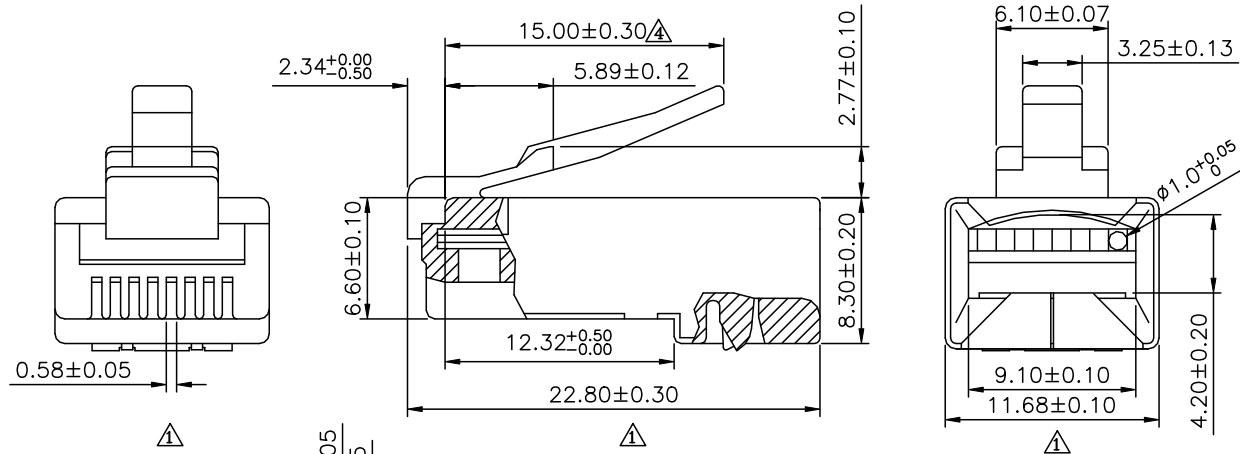


△ SPECIFICATION

Housing:PC(UL94V-2)
 △ Contact:Phosphor Bronze
 Available For 24 Or 26 AWG Wire
 Shield:Brass,Nickel Plated
 RoHS Compliant

△△ MP 0808 R M XX - X - H
 (1) (2) (3) (4) (5) (6) (7)

- (1) MP:Modular Plug
- (2) 0808:8P8C
- (3) R:For Round Stranded Wire
- (4) M:Metal Shielded
- (5) XX>Contact Finish
 Blank:Gold Flash Over All,Over Nickel
 03:Gold Plated 3u" On Contact Area,
 Gold Flash On Other Area,Over Nickel
 06:Gold Plated 6u" On Contact Area,
 Gold Flash On Other Area,Over Nickel
 15:Gold Plated 15u" On Contact Area,
 Gold Flash On Other Area,Over Nickel
 30:Gold Plated 30u" On Contact Area,
 Gold Flash On Other Area,Over Nickel
 50:Gold Plated 50u" On Contact Area,
 Gold Flash On Other Area,Over Nickel
- (6) X>Contact Type
 Blank:2 Prongs For Stranded Wire
 2:2 Prongs For Solid Wire
 3:3 Prongs For Solid Wire
- (7) H:RoHS Compliant



△ 2 Prongs For Stranded Wire

2 Prongs For Solid Wire

△ 3 Prongs For Solid Wire

AUK A MEMBER OF AUK GROUP
太聯事業股份有限公司
AUK CONTRACTORS CO., LTD.

CATEGORY		APPROVED BY	UNLESS OTHERWISE SPECIFIED TOLERANCES ARE .X ±0.38 .XX ±0.25 ANG.
PART No. △△ MP0808RMXX-X-H		MEI	
DRAWING No. MP0808RMXX-X-H		CHECKED BY HZF	
SCALE NONE		DRAWING BY CYP	
REV.	A4	UNIT mm	

△ A4	Modify Dim.	HZF	08/18/2020
△ A3	Modify P/N:MP0808RFXX-X-H --> MP0808RMXX-X-H	HZF	03/31/2020
△ A2	Modify Spec.	HZF	08/14/2019
△ A1	Modify P/N:MP0808RF-XX --> MP0808RFXX-X-H	HZF	05/22/2013
△ A0	NEW RELEASE	BECKY	09/06/2005
NO. REV.	REVISIONS	CHK	DATE