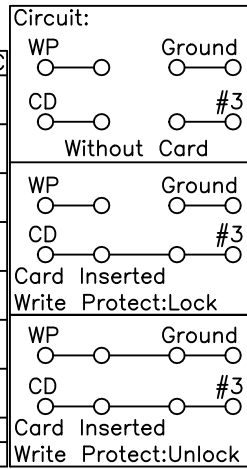
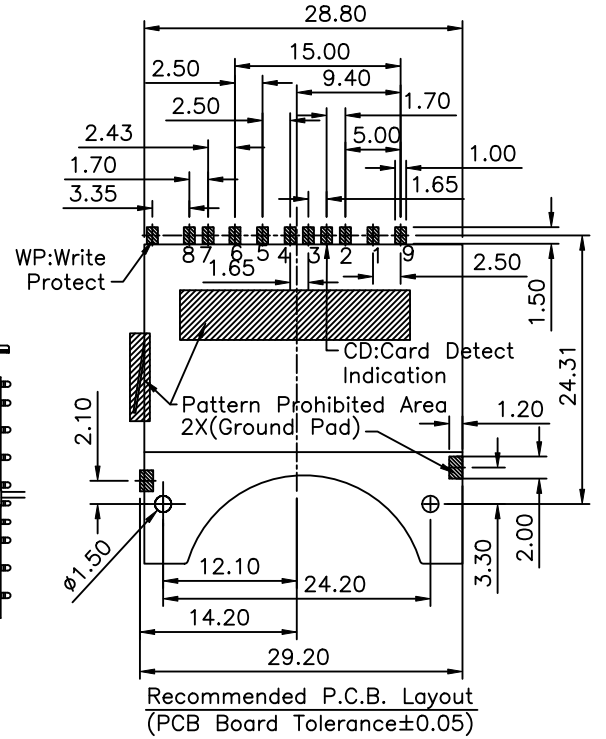


**SPECIFICATION**  
**1.General Characteristics**  
 SD Card 9P SMT 90° Push Push Type Stand Off=0.0mm  
 Normal Type With Fake Card Tape & Reel 400 PCS/Reel  
**2.Material&Finish**  
 Insulator:LCP(UL94V-0),Black  
 Contact:Phosphor Bronze,Gold Flash On Contact Area,  
 Tin Plated On Solder Tails,Over Nickel  
 Ground:Phosphor Bronze,Tin Plated  
 Shell:Stainless,Pickling  
**3.Electrical Characteristics**  
 Current Rating:0.5A  
 Operating Voltage:100V AC(RMS)/DC  
 Dielectric Withstanding Voltage:500V AC/1 Minute  
 Contact Resistance:100 Milliohms Max.  
 Insulation Resistance:1000 Megaohms Min. At 250V DC  
**4.Environmental Characteristics**  
 Operation Temperature:-25°C~+90°C  
**5.Mechanical Characteristics**  
 Mating Cycle:10000 Cycles At The Speed Rate Of  
 400-600 Cycles/h;Without Distortion Of Plastic And  
 Serious Wear And Tear In Terminal,No Signal Break  
**6.RoHS Compliant**

Pin No.	SD	MMC	Circuit:
P1	MMC-DAT3 SD-CD/DAT3	1P	1P
P2	MMC-CMD SD-CMD	2P	2P
P3	MMC-VSS1 SD-VSS1	3P	3P
P4	MMC-VDD SD-VDD	4P	4P
P5	MMC-CLK SD-CLK	5P	5P
P6	MMC-VSS2 SD-VSS2	6P	6P
P7	MMC-DAT0 SD-DAT0	7P	7P
P8	SD-DAT1	8P	
P9	SD-DAT2	9P	



SDC 09 W P 00 1 W - R4H - H  
 (1) (2) (3) (4) (5) (6) (7) (8) (9)  
 (1) SDC:SD Card Connector  
 (2) 09:No. Of Position  
 (3) W:SMT Right Angle  
 (4) P:Push Push Type  
 (5) 00:Standoff 0mm  
 (6) 1:Normal Type  
 (7) W:With Fake Card  
 (8) R4H:Tape & Reel 400 PCS/Reel  
 (9) H:RoHS Compliant



Recommended P.C.B. Layout  
 (PCB Board Tolerance±0.05)



CATEGORY		APPROVED BY		UNLESS OTHERWISE SPECIFIED TOLERANCES ARE X ±0.30 XX ±0.20 XXX ±0.15 XXX ±0.10 ANG. ±2°					
PART No. SDC09WP001W-R4H-H		MEI							
DRAWING No. SDC09WP001W-R4H-H		HZF							
SCALE	NONE	REV.	A0	UNIT mm	NO.	REV.	REVISIONS	CHK	DATE
					△ A0	NEW RELEASE		HZF	06/27/2018