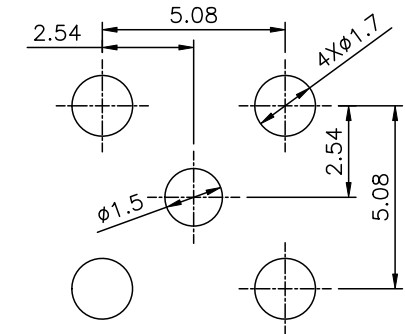


△ SPECIFICATION

Working Voltage:500V AC
 Withstand Voltage:1000V AC/Mimute
 Contact Resistance:
 Center Contact:5.0 Milliohms Max.
 Outer Contact:2.5 Milliohms Max.
 Insulation Resistance:5000 Megaohms Min.
 Insertion Loss:DC~3GHz=-0.5dB Max.
 3~6GHz=-1.0dB Max.
 Temperature Range:-65°C~165°C
 Nominal Impedance:50 Ohms
 Frequency Range:DC~6 GHz
 VSWR:1.3 Max.
 RoHS Compliant

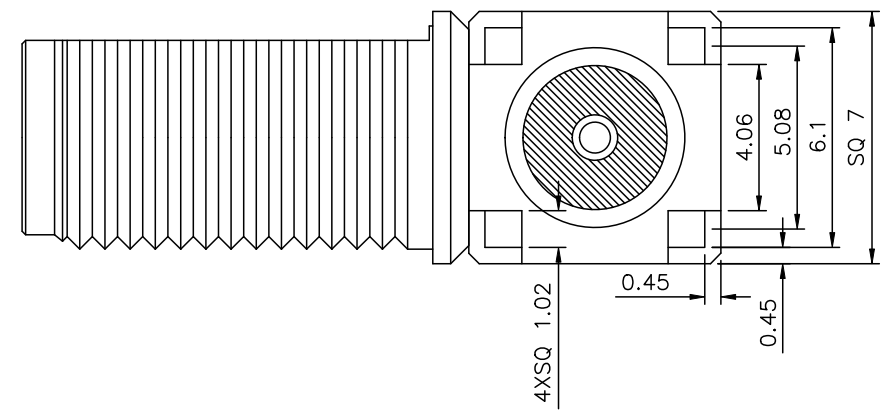
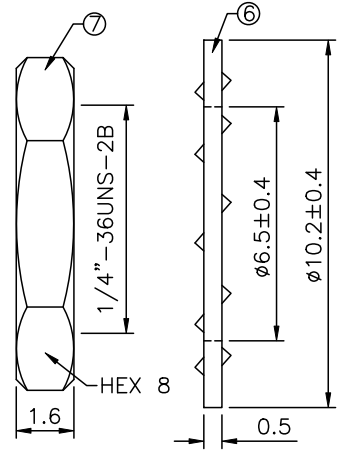
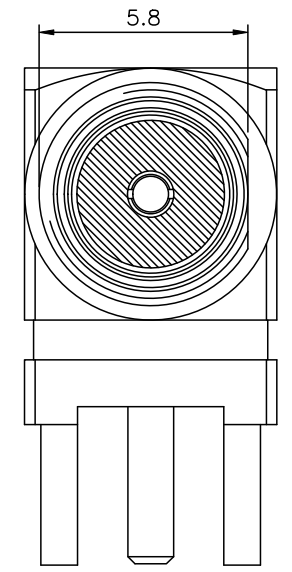
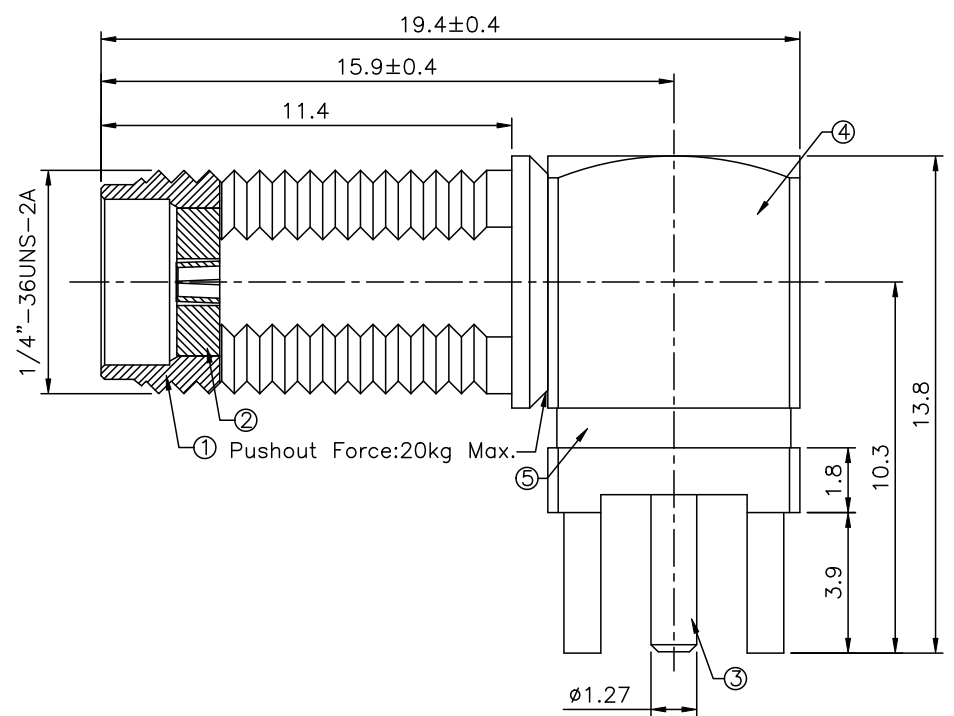
SMA - J R 50 W - BR - 19 - H
 (1) (2) (3) (4) (5) (6) (7) (8)

- (1) SMA:SMA Connector
- (2) J:Jack
- (3) R:DIP Right Angle
- (4) 50:50 Ohms
- (5) W:With Washer & Nut
- (6) BR:Brass Body
- (7) 19:Length=19.4mm
- (8) H:RoHS Compliant



Recommended P.C.B. Layout

No.	Description	Q'ty	Material	Remark
⑦	Nut	1	Brass	Gold Plated Over Nickel
⑥	Washer	1	Brass	Gold Plated Over Nickel
⑤	Insulator	1	Teflon	
④	Body	1	Brass	Gold Plated Over Nickel
③	Center Pin	1	Phosphor Bronze	Gold Plated Over Nickel
②	Insulator	1	Teflon	
①	Body	1	Brass	Gold Plated Over Nickel



PROPRIETARY AND CONFIDENTIAL
 THE INFORMATION CONTAINED IN THIS DRAWING IS THE SOLE PROPERTY OF AUK AND SHALL NOT BE DISTRIBUTED, REPRODUCED, OR DISCLOSED IN WHOLE OR IN PART WITHOUT PRIOR WRITTEN PERMISSION OF AUK.

AUK A MEMBER OF AUK GROUP
太聯事業股份有限公司
AUK CONTRACTORS CO., LTD.

CATEGORY	APPROVED BY	UNLESS OTHERWISE SPECIFIED TOLERANCES ARE			
PART No. SMA-JR50W-BR-19-H	MEI	X. ±0.1			
DRAWING No. SMA-JR50W-BR-19-H	CHECKED BY HZF	.X ±0.1			
SCALE NONE	DRAWING BY CYP	.XX ±0.1			
REV.	REV.	UNIT mm	NO.	REV.	DATE
	B1	Modify Data			09/12/2024
	B0	NEW RELEASE			06/29/2023
		REVISIONS		CHK	DATE