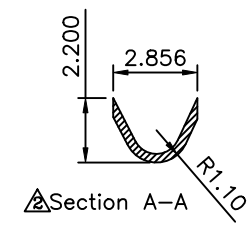
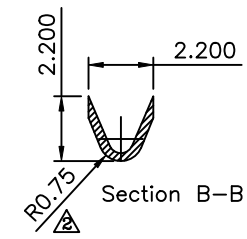
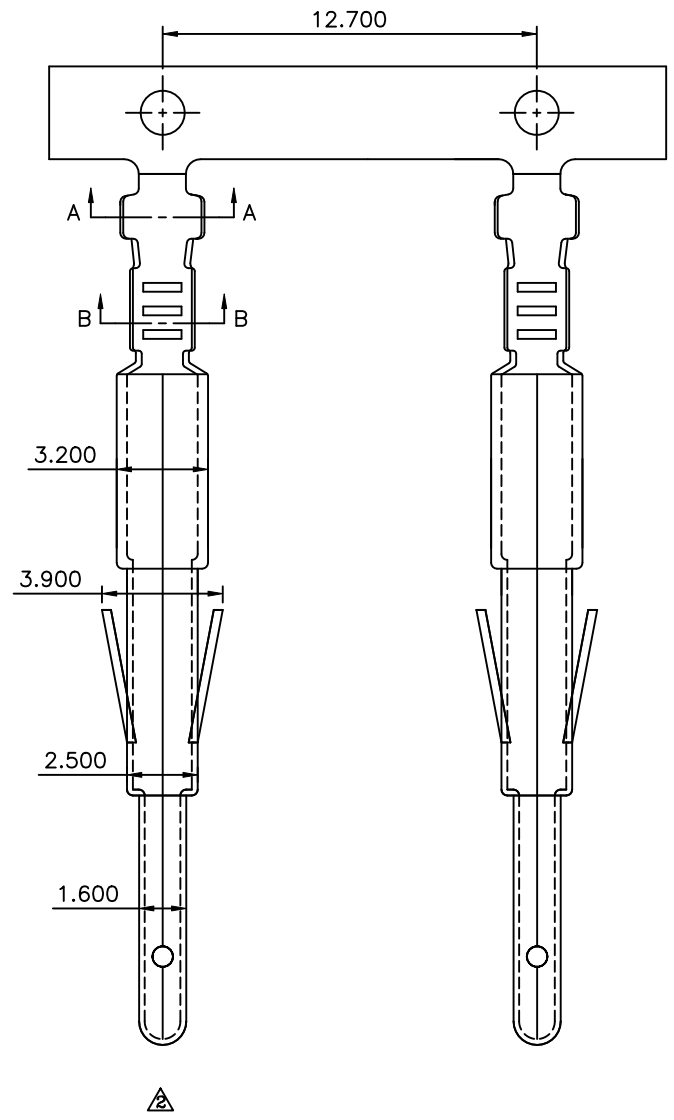
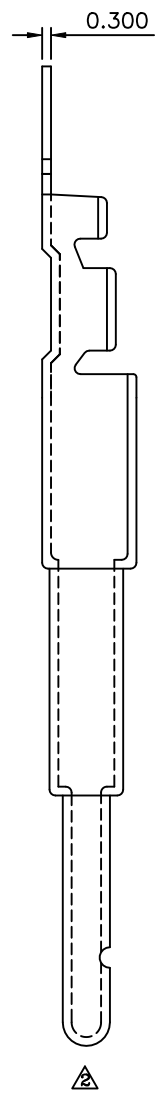


△ SPECIFICATION
 △ Wire Size: 22~28 AWG Crimp Contacts
 △ Contacts: Brass
 Q'ty: 2500 PCS/Reel
 RoHS Compliant

△△ M34 M1 GXX - R2H5 - H
 (1) (2) (3) (4) (5)
 (1) M34:1.905mm V.35 Series 34 Pin Crimp
 (2) M1:Male Terminal 1 Latch
 (3) GXX:Contact Finish
 Blank:Gold Flash Over All,Over Nickel
 G05:Gold Plated 5u" Over All,Over Nickel
 (4) R2H5:Tape & Reel 250 PCS/Reel
 (5) H:RoHS Compliant



AUK A MEMBER OF AUK GROUP
太聯事業股份有限公司
AUK CONTRACTORS CO., LTD.

CATEGORY		APPROVED BY	UNLESS OTHERWISE SPECIFIED TOLERANCES ARE △△ .XX ±0.150 .XXX ±0.150
PART No. △△ M34M1GXX-R2K5-H		MEI	
DRAWING No. M34M1GXX-R2K5-H		CHECKED BY	UNIT mm
SCALE NONE		HZF	
REV.	A4	DRAWING BY	NO. REV.
		CYP	
REV.			REVISIONS
			CHK
			DATE

NO. REV.	A4	Modify P/N:M34M1GXX-H --> M34M1GXX-R2K5-H	HZF	03/20/2018
	A3	Modify P/N:M34M1G-H --> M34M1GXX-H	HZF	05/25/2012
	A2	Modify Data	HZF	08/11/2011
	A1	Add Cable AWG	BECKY	05/16/2006
	A0	NEW RELEASE	RAN	