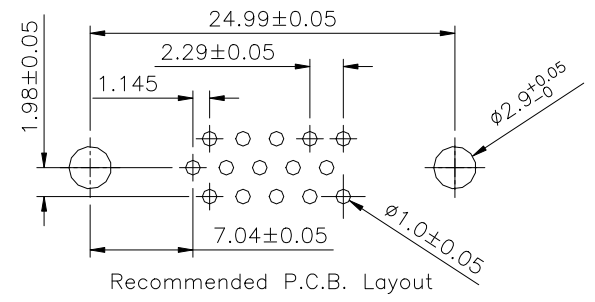


**SPECIFICATION**

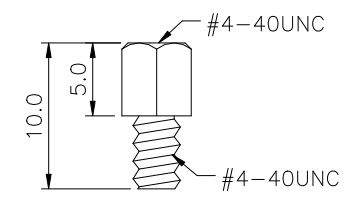
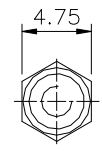
Current Rating: 3 Amp  
 Voltage Rating: 250V AC/RMS 60Hz  
 Contact Resistance: 20 Milliohms Max. At 1 Amp DC  
 Insulation Resistance: 1000 Megohms At 500V DC  
 Withstanding Voltage: 1000V AC/RMS 60Hz For 1 Minute  
 Insulator: PBT+G.F.(UL94V-0),Black  
 Contact: Brass, Selective Gold Flash Over Nickel  
 Shell: Steel, Tin Plated Over Copper  
 Boardlock: Brass, Tin Plated  
 Screwlock: Steel, Nickel Plated  
 RoHS Compliant

HDDH 15 P ZJ - 145 - H  
 (1) (2) (3) (4) (5) (6)

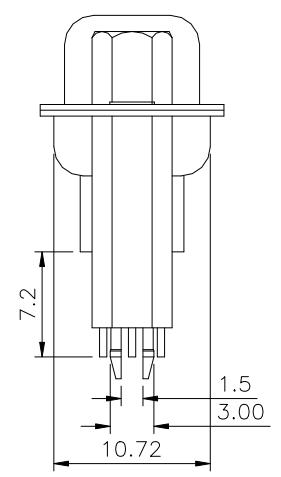
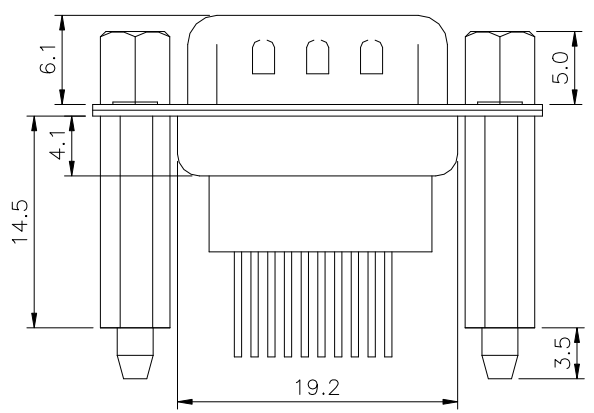
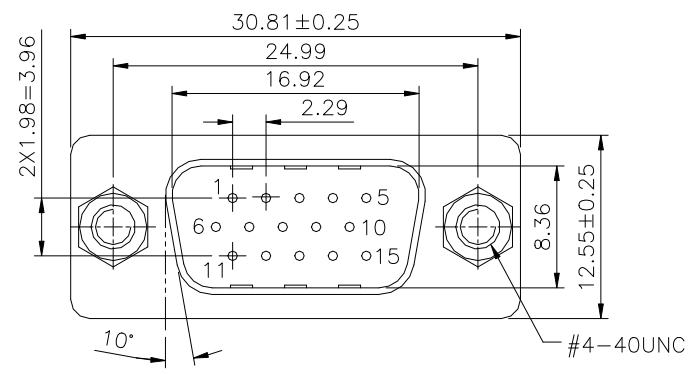
- (1) HDDH: 2.29mm High Density D-SUB DIP Straight High Profile Type
- (2) 15: No. Of Position
- (3) P: Male
- (4) ZJ: Rivet Rear Boardlock With Front Jackscrew
- (5) 145: High Profile 14.5mm
- (6) H: RoHS Compliant



Recommended P.C.B. Layout



Screwlock



**AUK** A MEMBER OF AUK GROUP  
**太聯事業股份有限公司**  
**AUK CONTRACTORS CO., LTD.**

CATEGORY		APPROVED BY		UNLESS OTHERWISE SPECIFIED TOLERANCES ARE					
		MEI		X. ±0.38 X.* ±3°					
PART No.		CHECKED BY		.X ±0.25 .X.* ±1.0°					
HDDH15PZJ-145-H		HZF		.XX ±0.13					
DRAWING No.		DRAWING BY		UNIT		△ A0	NEW RELEASE	HZF	10/26/2015
HDDH15PZJ-145-H		CYP		mm		NO.REV.	REVISIONS	CHK	DATE
SCALE	NONE	REV.	A0						