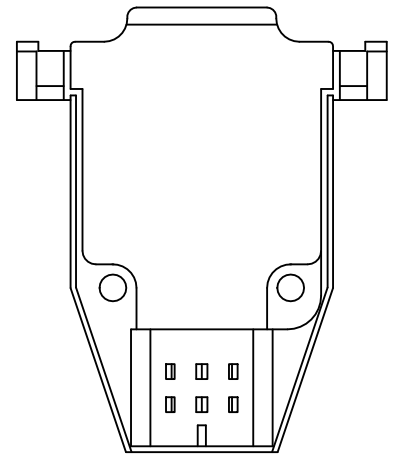


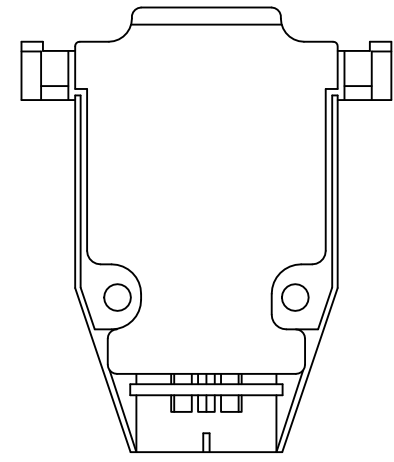
**△ SPECIFICATION**

Shell: Zinc Alloy, Chromate Plated  
 Accessories (2 PCS/Set): Steel  
 Nickel Plated Over All  
 RoHS Compliant

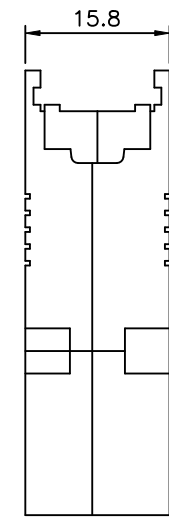
- △△ DHV 15 DXX - H**  
 (1) (2) (3) (4)
- (1) DHV: D-SUB Zinc Alloy Hood V Type
  - (2) 15: No. Of Position
  - (3) DXX: Cable O.D. (Dim X)  
 D07: Cable O.D. 7mm  
 D08: Cable O.D. 8mm  
 D09: Cable O.D. 9mm  
 D10: Cable O.D. 10mm  
 D12: Cable O.D. 12mm
  - (4) H: RoHS Compliant



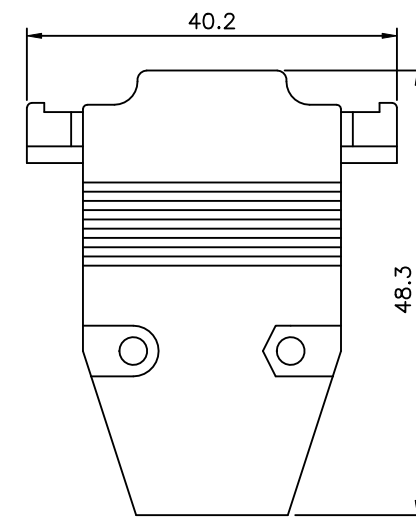
△ Cable O.D. 7.0/9.0/10.0mm



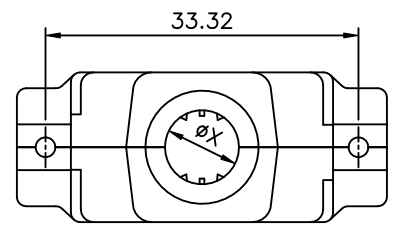
△△ Cable O.D. 8.0/12.0mm



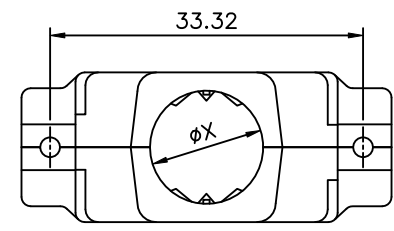
△△



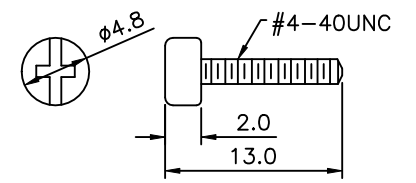
△△



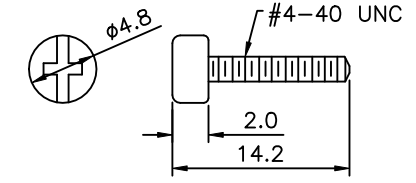
△ Cable O.D. 7.0/9.0/10.0mm



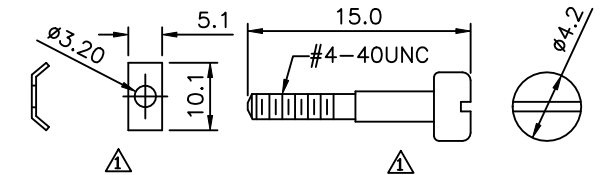
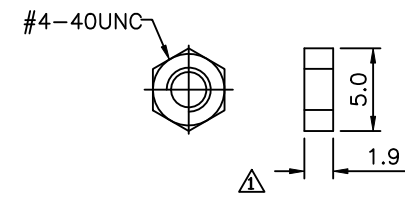
△△ Cable O.D. 8.0/12.0mm



△△ Screw: For O.D. 7.0/9.0/10.0mm



△ Screw: For O.D. 8.0/12.0mm



**AUK** A MEMBER OF AUK GROUP  
**太聯事業股份有限公司**  
**AUK CONTRACTORS CO., LTD.**

CATEGORY		APPROVED BY		UNLESS OTHERWISE SPECIFIED TOLERANCES ARE △ X. ±0.5 .X ±0.3 .XX ±0.2 ANG. ±5°				
PART No. DHV15DXX-H		MEI			△ A3	Modify Data	HZF	03/19/2019
DRAWING No. DHV15DXX-H		CYP			△ A2	Modify Data	HZF	12/07/2018
SCALE NONE		REV. A3			△ A1	Modify Data	HZF	01/16/2014
				△ A0	NEW RELEASE	SHIN	06/24/2007	
NO.	REV.	REVISIONS		CHK	DATE			