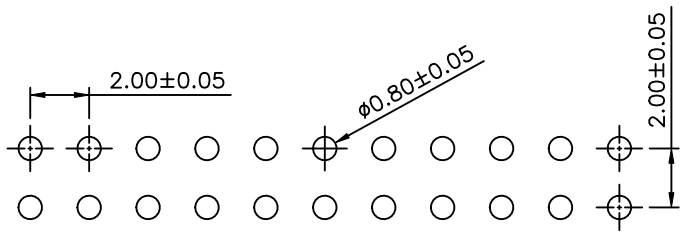
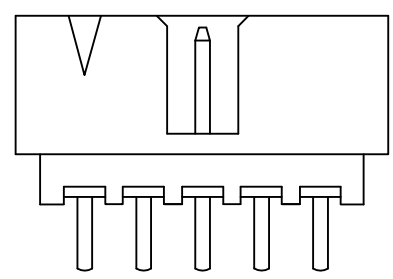
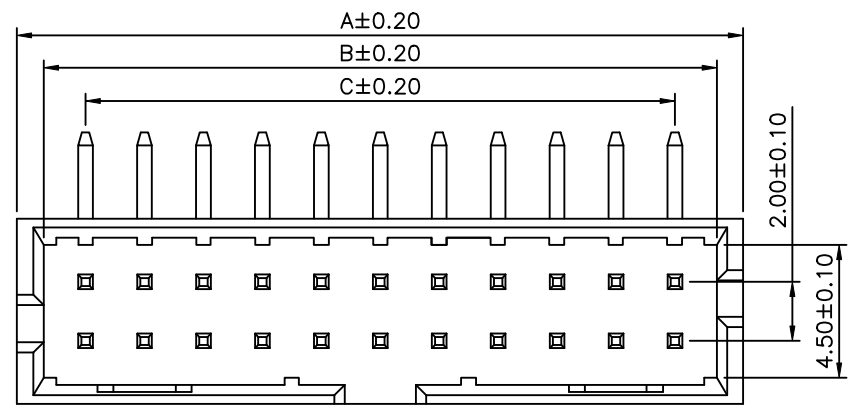


**SPECIFICATION**  
 Current Rating:1.5 Amp  
 Contact Resistance:20 Milliohms Max.  
 Insulation Resistance:1000 Megaohms Min.  
 Withstand Voltage:500V AC/Minute  
 Operation Temperature:-40°C~+105°C  
 △ Contact:Brass  
 Insulator:PA6T+30%G.F.(UL94V-0),Black  
 RoHS Compliant

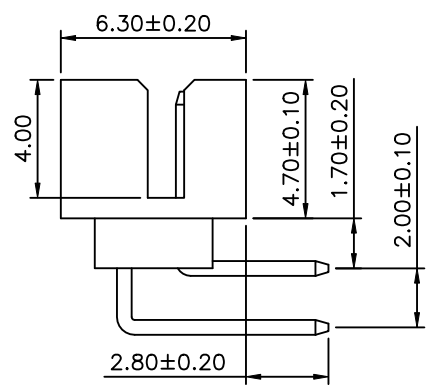
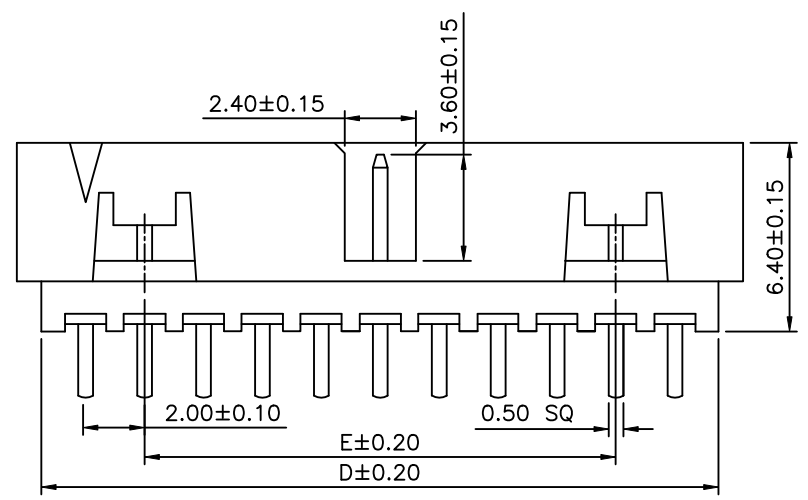
- △ MPVK 2 X XX R - GXX - H H  
 (1) (2) (3) (4) (5) (6) (7)  
 (1) MPVK:2.0mm Shrouded Header For MPV Series  
 (2) 2: Dual Row  
 (3) XX:No. Of Position/Per Row  
 (4) R:DIP Right Angle  
 (5) GXX>Contact Finish  
 Blank:Gold Flash Over All,Over Nickel  
 G10:Gold Plated 10u" Over All,Over Nickel  
 (6) H:Withstand High Temperature Soldering  
 (7) H:RoHS Compliant



Recommended P.C.B. Layout



04~12P



Pin	A	B	C	D	E
4	2.00	4.85	6.65	5.00	—
6	4.00	6.85	8.65	7.00	—
8	6.00	8.85	10.65	9.00	—
10	8.00	10.85	12.65	11.00	—
12	10.00	12.85	14.65	13.00	—
14	12.00	14.85	16.65	15.00	8.00
16	14.00	16.85	18.65	17.00	10.00
18	16.00	18.85	20.65	19.00	12.00
20	18.00	20.85	22.65	21.00	14.00
22	20.00	22.85	24.65	23.00	16.00
24	22.00	24.85	26.65	25.00	18.00
26	24.00	26.85	28.65	27.00	20.00
28	26.00	28.85	30.65	29.00	22.00
30	28.00	30.85	32.65	31.00	24.00
32	30.00	32.85	34.65	33.00	26.00
34	32.00	34.85	36.65	35.00	28.00
36	34.00	36.85	38.65	37.00	30.00
38	36.00	38.85	40.65	39.00	32.00
40	38.00	40.85	42.65	41.00	34.00
42	40.00	42.85	44.65	43.00	36.00
44	42.00	44.85	46.65	45.00	38.00
46	44.00	46.85	48.65	47.00	40.00
48	46.00	48.85	50.65	49.00	42.00
50	48.00	50.85	52.65	51.00	44.00

**AUK** A MEMBER OF AUK GROUP  
**太聯事業股份有限公司**  
**AUK CONTRACTORS CO., LTD.**

CATEGORY		APPROVED BY		UNLESS OTHERWISE SPECIFIED TOLERANCES ARE .X ±0.30 .XX ±0.20
PART No. △ MPVK2XXXR-GXX-HH		MEI		
DRAWING No. MPVK2XXXR-GXX-HH		CHECKED BY HZF		
		DRAWING BY CYP		
SCALE	NONE	REV.	A1	UNIT mm

△ A1	Modify P/N:MPVK2XXXR-HH --> MPVK2XXXR-GXX-HH	HZF	02/25/2019
△ A0	NEW RELEASE	HZF	04/28/2016
NO. REV.	REVISIONS	CHK	DATE