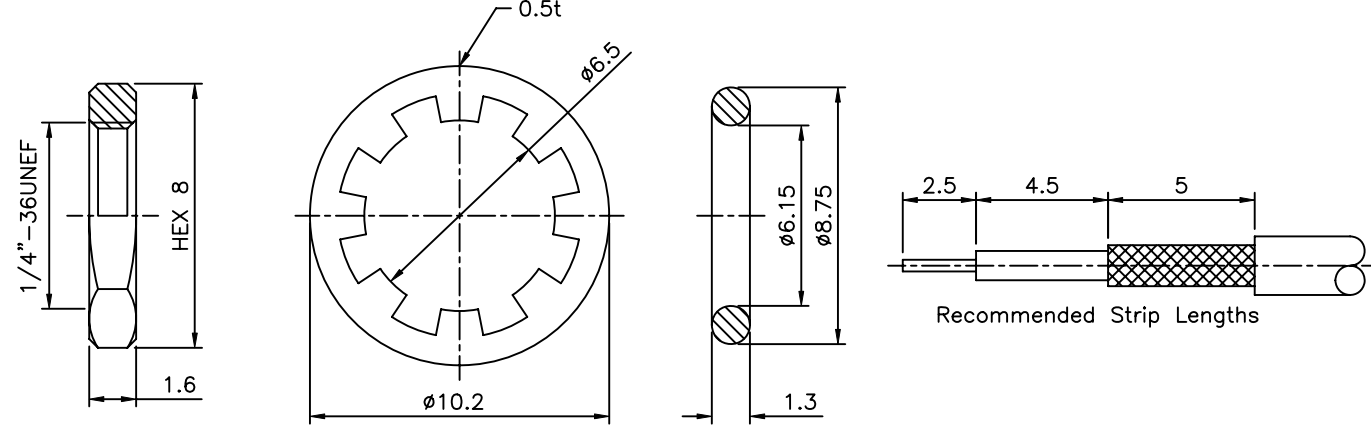


- SMA - J S B XXX 50 - H
 (1) (2) (3) (4) (5) (6) (7)
- (1) SMA:SMA Connector
 - (2) J:Jack
 - (3) S:Solder Wire Type
 - (4) B:Bulkhead Type
 - (5) XXX:Cable Position
 174:For RG174
 316:For RG316
 188:For RG188
 - (6) 50:50 Ohms
 - (7) H:RoHS Compliant



RoHS Compliant

No.	Description	Q'ty	Material	Remark
7	Nut	1	Brass	Gold Plated
6	Washer	1	Brass	Gold Plated
5	O Ring	1	Silicone	Black
4	Insulator	1	Teflon	--
3	Body	1	Brass	Gold Plated
2	Center Pin	1	Beryllium Copper	Gold Plated
1	Ferrule	1	Brass	Gold Plated

AUK A MEMBER OF AUK GROUP
太聯事業股份有限公司
AUK CONTRACTORS CO., LTD.

CATEGORY		APPROVED BY		UNLESS OTHERWISE SPECIFIED TOLERANCES ARE X. ±0.2 .X ±0.2 ANG.
PART No. SMA-JSBXXX50-H		MEI		
DRAWING No. SMA-JSBXXX50-H		HZF		
		QQJ		
SCALE	NONE	REV.	A0	UNIT mm

△ A0	NEW RELEASE	HZF	06/27/2010
NO.REV.	REVISIONS	CHK	DATE