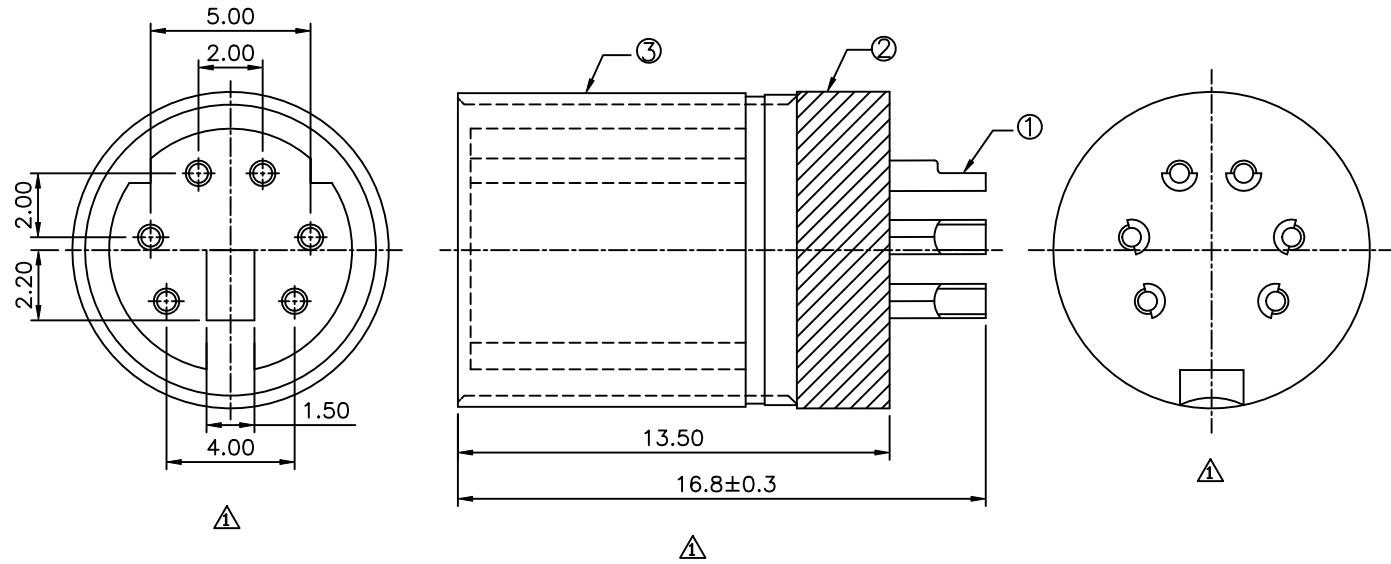


SPECIFICATION

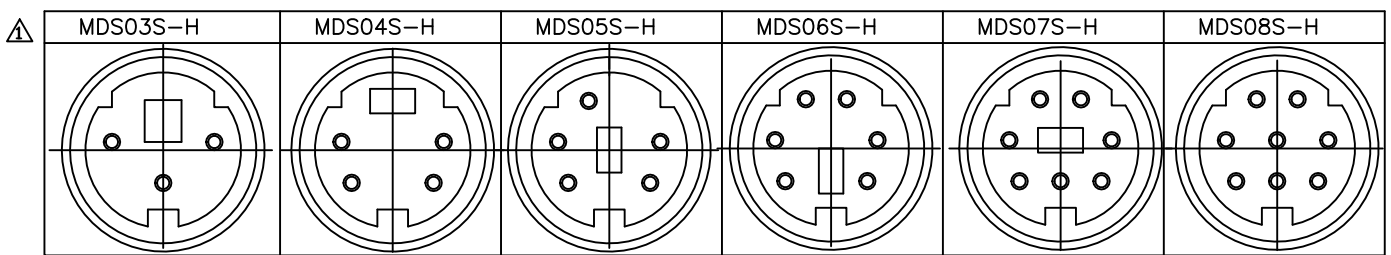
Rated:AC 100V 1A Max. Or 12V DC 2A Max.
 Insulation Resistance:50 Megaohms Min. At 250V DC
 Withstand Voltage:250V AC/Minute
 Mating Force:4.5kgf Max.
 ⚠ Unmating Force:0.8~3.5kgf(Special:3.0kgf Min.)
 RoHS Compliant



MD S XX S - H
 (1) (2) (3) (4) (5)

- (1) MD:Mini Din
- (2) S:Solder Wire Molding Type
- (3) XX:No. Of Position
- (4) S:Female
- (5) H:RoHS Compliant

③	Shell	1	Brass	Nickel Plated
②	Insulator	1	PBT+15%G.F.(UL94V-0)	Black
⚠ ①	Pin	3~8	Phosphor Bronze	Gold Flash On Contact Area,Tin Plated On Solder Tails,Over Nickel
No.	Description	Q'ty	Material	Remark



AUK A MEMBER OF AUK GROUP
太聯事業股份有限公司
AUK CONTRACTORS CO., LTD.

CATEGORY	APPROVED BY	MEI	UNLESS OTHERWISE SPECIFIED TOLERANCES ARE		
PART No. MDSXXS-H	CHECKED BY	HZF	△ X ±0.50		
DRAWING No. MDSXXS-H	DRAWING BY	CYP	X ±0.20	△ A1 Modify Data	HZF 06/26/2018
SCALE NONE	REV.	A1	XX ±0.10	△ A0 NEW RELEASE	HZF 02/16/2014
			.XXX ±0.05	NO.REV.	REVISIONS
			ANG. ±0.5°	CHK	DATE
			UNIT mm		