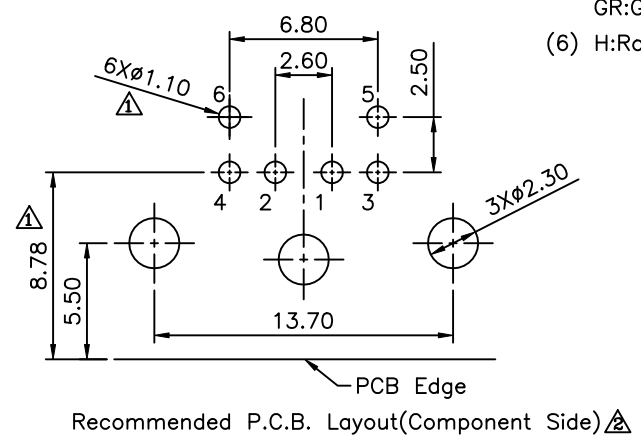
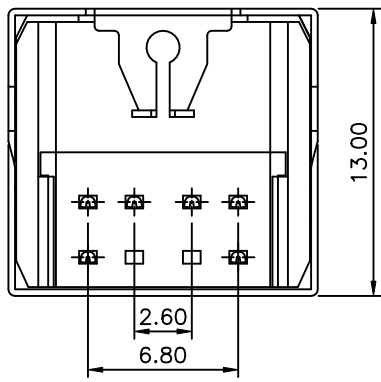
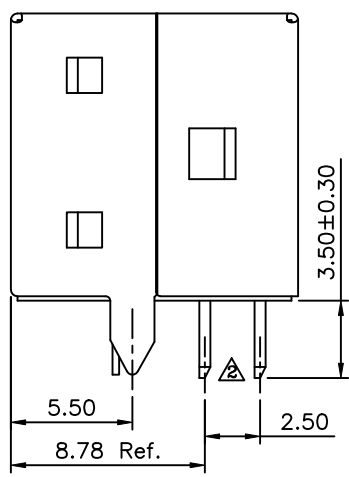
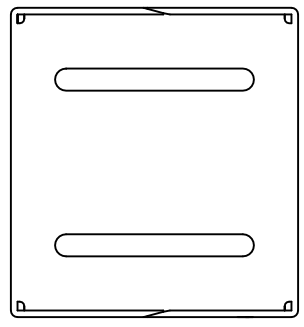
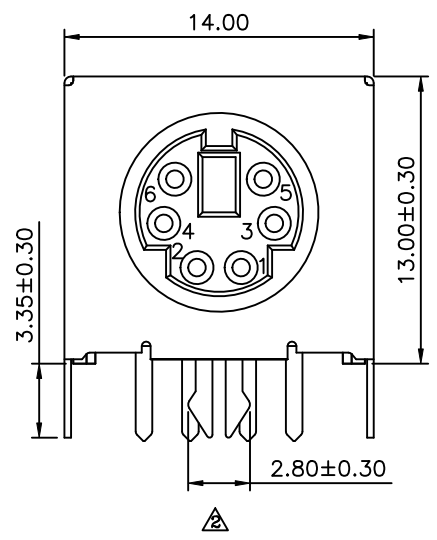


SPECIFICATION
 Current:1.0A Max.
 Voltage:30V Max.
 Withstanding Voltage:750V AC
 Contact Resistance:30 Milliohms Max.
 Insulation Resistance:1000 Megaohms Min.
 Temperature Range:-55°C~+85°C
 Mating Force:45N Max.
 Withdrawal Force:7N Min.
 Durability:500 Cycles Min.
 ⚠ Contact:Brass,Gold Flash On Contact Area,
 Tin Plated On Solder Tails,Over Nickel
 ⚠ Insulator:PBT+30%G.F.(UL94V-0)
 Shell:SPCC,Nickel Plated
 RoHS Compliant

- ⚠ MDJ 06 F - M - XX - H
 (1) (2) (3) (4) (5) (6)
- (1) MDJ:Mini Din Jack
 - (2) 06:No. Of Position
 - (3) F:Full Shielded
 - (4) M:Shell SPCC
 - (5) XX:Insulator Color
 Blank:Black
 PP:Purple
 GR:Green
 - (6) H:RoHS Compliant



AUK A MEMBER OF AUK GROUP
太聯事業股份有限公司
AUK CONTRACTORS CO., LTD.

CATEGORY		APPROVED BY	UNLESS OTHERWISE SPECIFIED TOLERANCES ARE					
PART No. MDJ06F-M-XX-H		MEI	.X ±0.38 .X* ±2*		⚠ A2	Modify Data	HZF	08/06/2013
DRAWING No. MDJ06F-M-XX-H		CHECKED BY HZF	.XX ±0.25 .XX* ±1*		⚠ A1	Modify P/N:MDJ06F-M-H --> MDJ06F-M-XX-H	HZF	10/21/2011
		DRAWING BY SONG	.XXX ±0.13 .XXX* ±0.5*		⚠ A0	NEW RELEASE	HZF	06/17/2009
SCALE	NONE	REV.	A2	UNIT mm	NO.REV.	REVISIONS	CHK	DATE