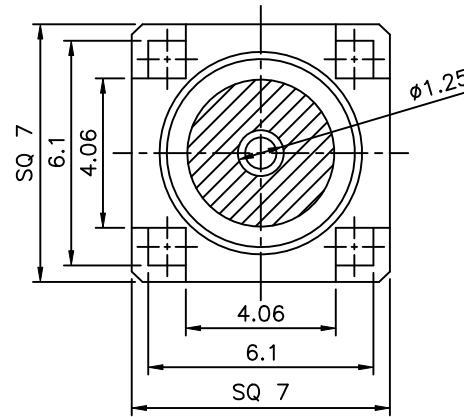
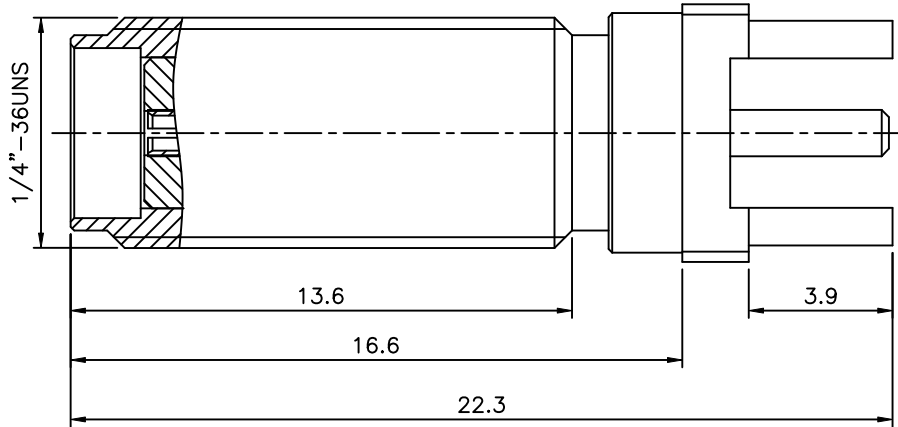


Recommended P.C.B. Layout



SMA - J D 50 - BR - 16 - H
 (1) (2) (3) (4) (5) (6) (7)

- (1) SMA:SMA Connector
- (2) J:Jack
- (3) D:DIP Straight
- (4) 50:50 Ohms
- (5) BR:Brass Body
- (6) 16:Height=16.6mm
- (7) H:RoHS Compliant

RoHS Compliant

No.	Description	Q'ty	Material	Remark
5	Press Washer	1	Brass	Gold Plated Over Nickel
4	Insulator	1	Teflon	
3	Center Pin	1	Beryllium Copper	Gold Plated Over Nickel
2	Insulator	1	Teflon	
1	Body	1	Brass	Gold Plated Over Nickel

AUK A MEMBER OF AUK GROUP
太聯事業股份有限公司
AUK CONTRACTORS CO., LTD.

CATEGORY		APPROVED BY		UNLESS OTHERWISE SPECIFIED TOLERANCES ARE X. ±0.4 .X ±0.4 .XX ±0.4				
PART No. SMA-JD50-BR-16-H		MEI						
DRAWING No. SMA-JD50-BR-16-H		HZF						
SCALE		REV.		UNIT	NO. REV.	REVISIONS	CHK	DATE
NONE		A0		mm				
					A0	NEW RELEASE	HZF	05/02/2012