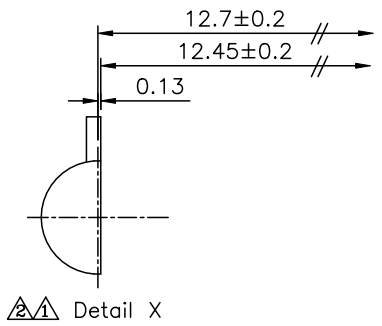
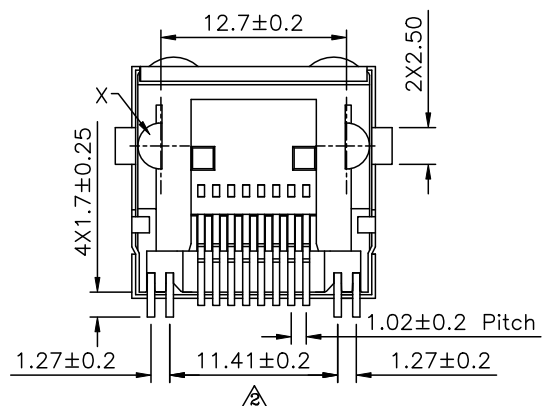
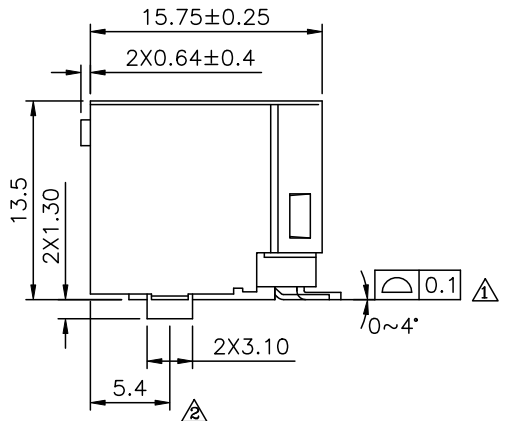
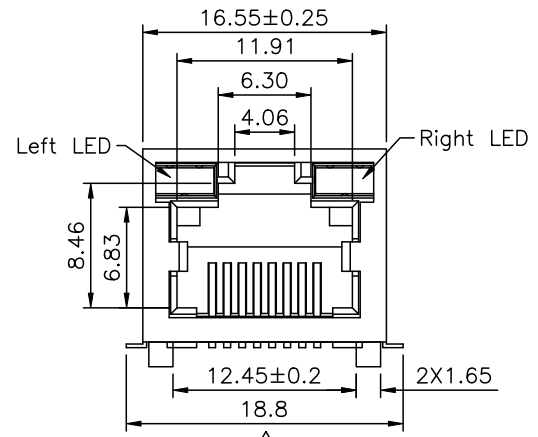


Recommended P.C.B. Layout



Detail X

**△△ SPECIFICATION**  
 Current Rating:1.5A Max.  
 Voltage Rating:150V AC Max.  
 Operating Temperature: -40°C~+85°C  
 Relative Humidity: 70% ±10%RH  
 Insulation Resistance:500 Megaohms Min. Initial  
 At 500V DC  
 Contact Resistance:20 Milliohms Max. Initial  
 30 Milliohms Max. Final  
 Durability:750 Cycles  
 Dielectric Withstanding Voltage:  
 1000V RMS. At 60Hz,1 Minute Between  
 Adjacent Contacts  
 1500V RMS. At 60Hz,1 Minute Between  
 Shield And Contacts  
 Housing:PA9T(UL94V-0),Black  
 Insert Housing:PA46(UL94V-0),Black  
 Contact:Phosphor Bronze  
 Shield:Brass,Nickel Plated  
 LED Solder Tail:Steel,Tin Plated  
 Cavity Conforms To FCC Rules And  
 Regulations Part 68,Subpart F.  
 RoHS Compliant

- △ MJ UW 0808 F X XX P X X - H**  
 (1) (2) (3) (4) (5) (6) (7) (8) (9) (10)
- (1) MJ:Modular Jack
  - (2) UW:Upper LED Series SMT Right Angle
  - (3) 0808:8P8C
  - (4) F:Full Shielded
  - (5) X:Without Panel Ground
  - (6) XX:Contact Finish  
 06:Gold Plated 6u" On Contact Area,  
 Gold Flash On Solder Tails,Over Nickel  
 15:Gold Plated 15u" On Contact Area,  
 Gold Flash On Solder Tails,Over Nickel  
 30:Gold Plated 30u" On Contact Area,  
 Gold Flash On Solder Tails,Over Nickel
  - (7) P:With Post
  - (8) X:Right LED Color
  - (9) X:Left LED Color
  - (10) H:RoHS Compliant

LED Color					
Code	Forward	Reverse	Code	Forward	Reverse
A	Green	Red	J	Green	Orange
C	Green	Yellow(Amber)	K	Black	---
D	Yellow	Red	L	Lime	---
E	Yellow	Green	M	Orange	Green
F	Red	Green	N	Amber	---
G	Green	---	O	Orange	---
H	Red	Yellow	R	Red	---
I	Beige	---	Y	Yellow	---

**AUK** A MEMBER OF AUK GROUP  
**太聯事業股份有限公司**  
**AUK CONTRACTORS CO., LTD.**

CATEGORY	APPROVED BY	UNLESS OTHERWISE SPECIFIED TOLERANCES ARE			
PART No. MJUW0808FXXXPXX-H	MEI	△ .X ±0.25	△ A2	Modify Data	HZF 08/30/2017
DRAWING No. MJUW0808FXXXPXX-H	CHECKED BY HZF	.XX ±0.13	△ A1	Modify Data	HZF 05/19/2014
SCALE NONE	DRAWING BY CYP	.XXX ±0.05	△ A0	NEW RELEASE	HZF 09/07/2010
REV. A2	UNIT mm		NO. REV.	REVISIONS	CHK DATE