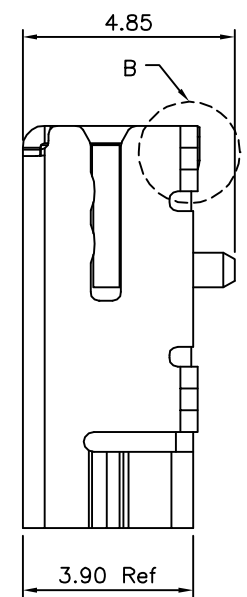
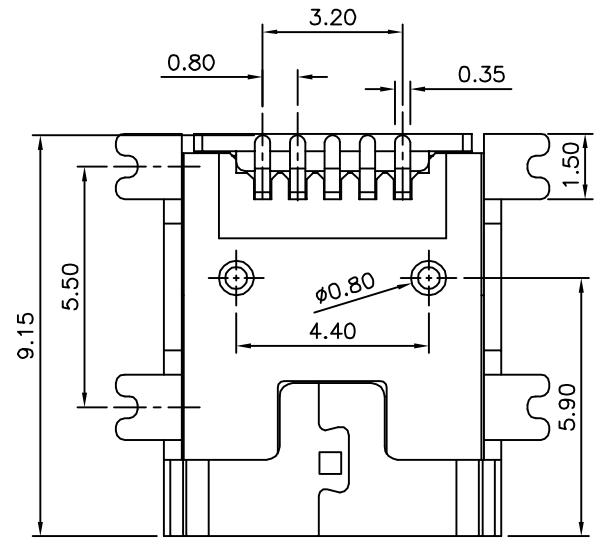


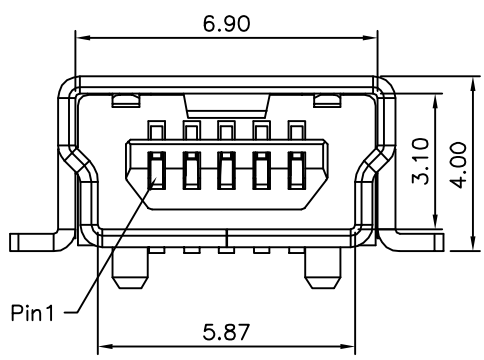
△△



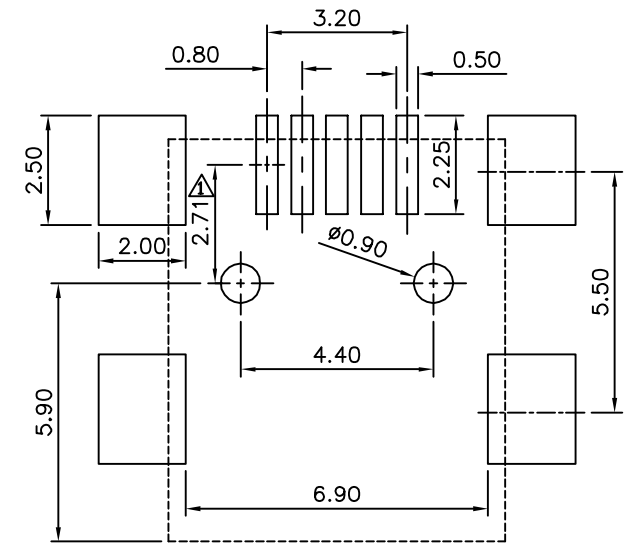
△



△△△



△



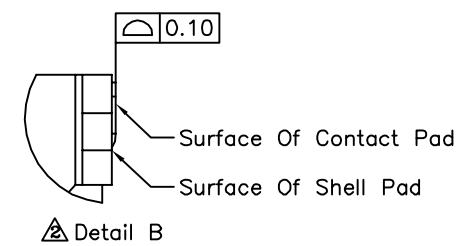
△ Recommended PCB Layout

△ SPECIFICATION

Current Rating:1A Max.
 Dielectric Withstanding Voltage:100V AC
 For 1 Minute
 Contact Resistance:50 Milliohms Max.
 Insulation Resistance:100 Megaohms Min.
 Temperature Range:-55°C~+85°C
 Total Mating Force:3.57 Kgf Max.
 Total Unmating Force:0.7 Kgf Min. After Durability
 5000 Cycles,0.3 Kgf Min.
 Contact:C5191-EH
 Shell:C5191R-H,Nickel Plated Over All
 Insulator:LCP+30%G.F.(UL94V-0),Black
 RoHS Compliant

△△ MSB 5B S W - SXX - H
 (1) (2) (3) (4) (5) (6)

- (1) MSB:Mini USB
- (2) 5B:5 Position B Type
- (3) S:Female
- (4) W:SMT Right Angle
- (5) SXX:Contact Finish
 Blank:Gold Flash On Contact Area,Tin
 Plated On Solder Tails,Over Nickel
 S15:Gold Plated 15U" On Contact Area,Tin
 Plated On Solder Tails,Over Nickel
 S30:Gold Plated 30U" On Contact Area,Tin
 Plated On Solder Tails,Over Nickel
- (6)H:RoHS Compliant



AUK A MEMBER OF AUK GROUP
太聯事業股份有限公司
AUK CONTRACTORS CO., LTD.

CATEGORY		APPROVED BY		UNLESS OTHERWISE SPECIFIED TOLERANCES ARE .X ±0.38 X.* ±3* .XX ±0.25 .X* ±2* .XXX ±0.13 .XX* ±1* UNIT mm
PART No. △ MSB5BSW-SXX-H		EMILY		
DRAWING No. △ MSB5BSW-SXX-H		CHECKED BY HZF		
SCALE NONE		DRAWING BY CYP		
REV.	A3	REV.		NO.

△ A3	Modify P/N:MSB5BSW-H --> MSB5BSW-SXX-H	HZF	02/11/2015
△ A2	Modify Data	HZF	09/03/2012
△ A1	Modify Data	HZF	08/01/2012
△ A0	NEW RELEASE	HZF	09/03/2008
NO. REV.	REVISIONS	CHK	DATE