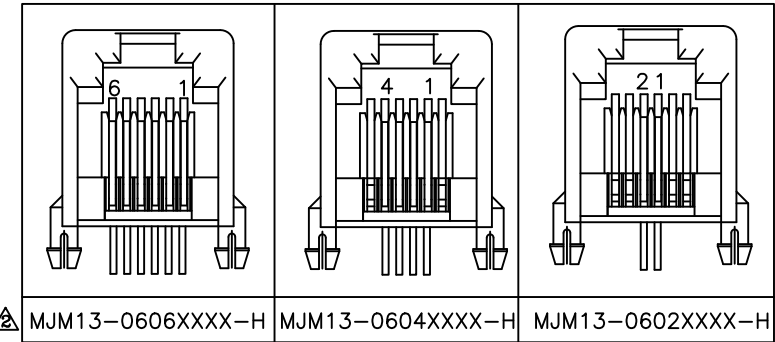


△ SPECIFICATION

Voltage Rating: 125V AC RMS
 Current Rating: 1.5 Amp
 Contact Resistance: 20 Milliohms Max.
 Insulation Resistance: 1000 Megaohms Min. @500V DC
 Dielectric Strength: 1000V AC Or 1500V DC RMS @0.5mA 50Hz/60Hz 1 Minute
 Operation Temperature: -40°C ~ +85°C
 △ Housing & Insert: PBT (UL94V-0)
 Contact: Phosphor Bronze
 Mates With Modular Plug Conforming To FCC Part 68, Subpart F.
 RoHS Compliant

- △ MJ M 13 - 06 XX X X XX - H
 (1) (2) (3) (4) (5) (6) (7) (8) (9)
- (1) MJ: Modular Jack
 - (2) M: Mini Low Profile 14.5mm
 - (3) 13: Depth=13.0mm
 - (4) 06: 6P
 - (5) XX: No. Of Position
 - (6) X: Insulator Color
 K: Black Insulator
 G: Gray Insulator
 - (7) X: Without Panel Stop
 - (8) XX: Contact Finish
 01: Gold Flash Over All, Over Nickel
 06: Gold Plated 6u" Over All, Over Nickel
 15: Gold Plated 15u" Over All, Over Nickel
 30: Gold Plated 30u" Over All, Over Nickel
 - (9) H: RoHS Compliant



PROPRIETARY AND CONFIDENTIAL
 THE INFORMATION CONTAINED IN THIS DRAWING IS THE SOLE PROPERTY OF AUK AND SHALL NOT BE DISTRIBUTED, REPRODUCED, OR DISCLOSED IN WHOLE OR IN PART WITHOUT PRIOR WRITTEN PERMISSION OF AUK.

AUK A MEMBER OF AUK GROUP
太聯事業股份有限公司
AUK CONTRACTORS CO., LTD.

CATEGORY		APPROVED BY	MEI	UNLESS OTHERWISE SPECIFIED TOLERANCES ARE 0~15 ±0.15 15~30 ±0.20 30~ ±0.25 ANG. ±1°				
PART No. △△ MJM13-06XXXXX-H		CHECKED BY	HZF		△ B2	Modify P/N: MJM13-0606XXXX-H --> MJM13-06XXXXX-H	HZF	06/25/2022
DRAWING No. MJM13-06XXXXX-H		DRAWING BY	CYP		△ B1	Modify P/N: MJM13-0606XXXX-H --> MJM13-0606XXXXX-H Add MJM13-0606GXXX-H	HZF	08/13/2018
SCALE	NONE	REV.	B2		△ B0	NEW RELEASE	HZF	09/22/2016
				UNIT mm	NO. REV.	REVISIONS	CHK	DATE