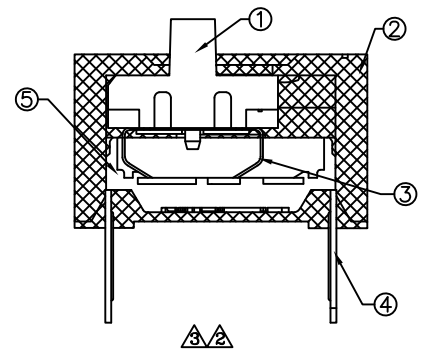
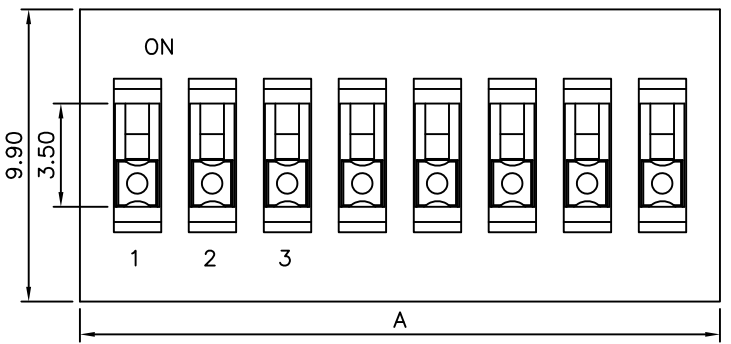


△ Recommended P.C.B. Layout



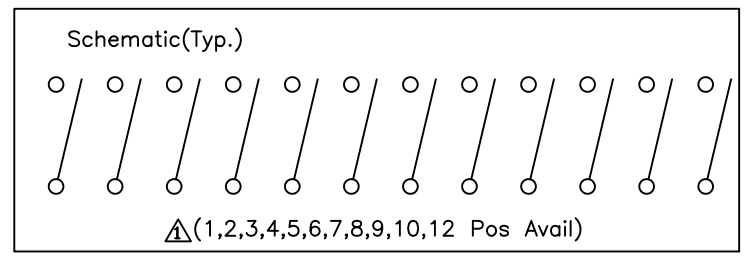
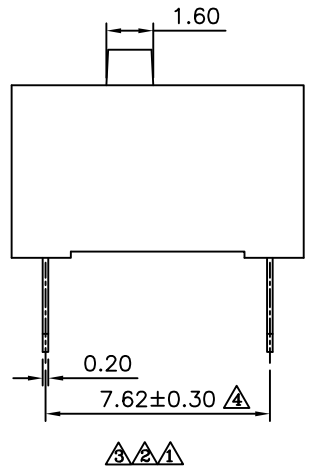
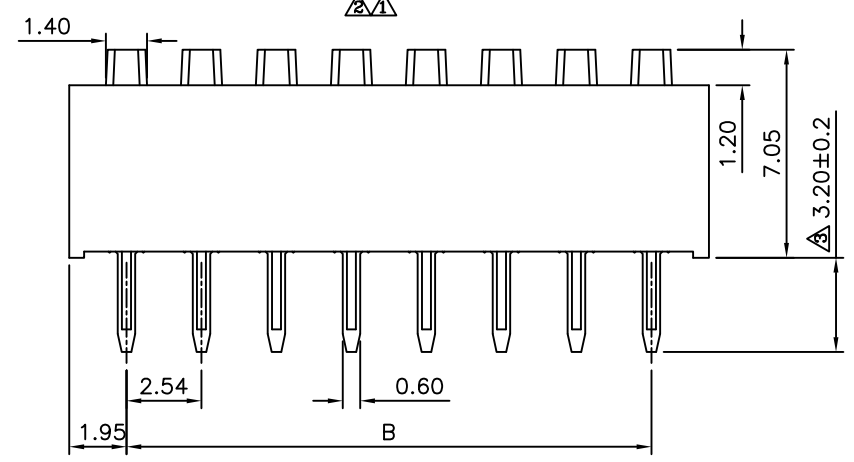
△ SPECIFICATION

Current Range:
 Non-Switching: 100mA 50V DC
 Switching: 25mA 24V DC
 Withstanding Voltage: 500V AC 50Hz Or 60Hz For 1 Minute
 Contact Resistance: 50 Milliohms Max.(Initial)
 Insulation Resistance: 100 Megaohms Min. At 500V DC, 60s ± 5s
 Operation Temperature Range: -40°C ~ +85°C
 Operation Force: 1000gf Max. (9.8N Max.)
 RoHS Compliant

△ SW XX S - X - XX - H
 (1) (2) (3) (4) (5) (6)

- (1) SW: 2.54mm DIP Switch
- (2) XX: No. Of Position
- (3) S: Slide Type
- (4) X: Switch Position
Blank: Off Type
A: On Type
- (5) XX: Cover Color
Blank: Blue
BK: Black
RD: Red
- (6) H: RoHS Compliant

Pin	A	B
1	3.90	2.54
2	6.44	5.08
3	8.98	7.62
4	11.52	10.16
5	14.06	12.70
6	16.60	15.24
7	19.14	17.78
8	21.68	20.32
9	24.22	22.86
10	26.76	25.40
12	31.84	27.94



No.	Description	Q'ty	Material	Remark
⑤	Base	1	PA66,UL94V-0	Black
④	Terminal	-	Brass	Gold Plated Over Nickel
③	Contact	-	Copper Alloy	Gold Plated Over Nickel
②	Cover	1	PBT,UL94V-0	
①	Actuator	-	PBT,UL94V-0	White

PROPRIETARY AND CONFIDENTIAL
 THE INFORMATION CONTAINED IN THIS DRAWING IS THE SOLE PROPERTY OF AUK AND SHALL NOT BE DISTRIBUTED, REPRODUCED, OR DISCLOSED IN WHOLE OR IN PART WITHOUT PRIOR WRITTEN PERMISSION OF AUK.



CATEGORY	APPROVED BY	UNLESS OTHERWISE SPECIFIED TOLERANCES ARE	REVISIONS	CHK	DATE
PART No. SWXXS-X-XX-H	MEI	~10 ±0.10	B4 Modify Data	HZF	01/08/2025
DRAWING No. SWXXS-X-XX-H	HZF	10~ ±0.20	B3 Modify Data	HZF	06/09/2023
SCALE NONE	CYP		B2 Modify Data	HZF	07/10/2018
REV. B4			B1 Modify P/N: SWXXS-XX-H --> SWXXS-X-XX-H	HZF	05/12/2016
			B0 NEW RELEASE	HZF	10/10/2013
			NO. REV.		