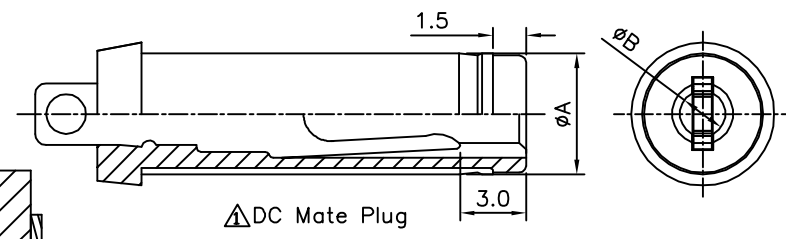
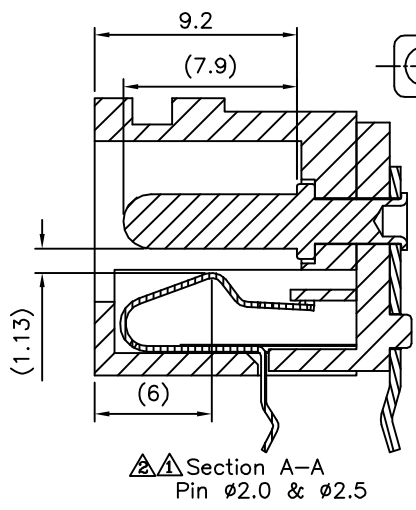
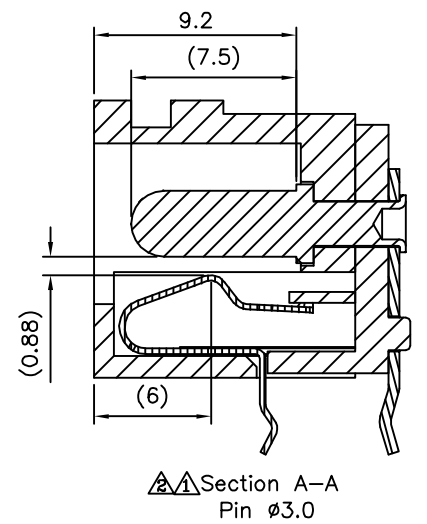
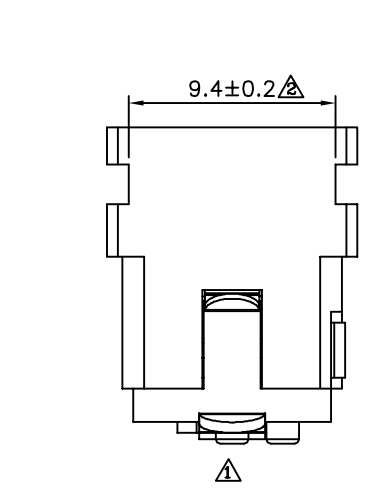


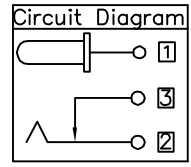
**△ SPECIFICATION**  
 Rating:DC 20V 3A  
 Withstanding Voltage:500V AC  
 Contact Resistance:50 Milliohms Max.  
 After Test:100 Milliohms Max.  
 Insulation Resistance:100 Megaohms Min. (500V DC)  
 After Test:50 Megaohms Min.  
 Operation Temperature Range:-20°C~+70°C  
 RoHS Compliant

- △ DCJ XX K - 70 - H**  
 (1) (2) (3) (4) (5)  
 (1) DCJ:DC Power Jack DIP Right Angle  
 (2) XX:Pin Diameter  
 20:Pin φ2.0  
 25:Pin φ2.5  
 30:Pin φ3.0  
 (3) K:With Kink  
 (4) 70:Center Height=7.0mm  
 (5) H:RoHS Compliant



P/N	DCJ20K-70-H	DCJ25K-70-H	DCJ30K-70-H
Pin	φ2.0	φ2.5	φ3.0
A	φ6.3±0.05	φ6.3±0.05	φ6.55±0.05
B	φ2.05 <sup>+0.10</sup> <sub>-0.00</sub>	φ2.55 <sup>+0.10</sup> <sub>-0.00</sub>	φ3.05 <sup>+0.10</sup> <sub>-0.00</sub>

No.	Description	Q'ty	Material	Remark
⑥	Shunt Terminal	1	Brass	Tin Plated
⑤	Tip Spring	1	Stainless Steel	Tin Plated
④	Center Pin Terminal	1	Brass	Tin Plated
③	Center Pin	1	Brass	CuSn Plated
②	Cover	1	PBT(UL94V-0)	Black
①	Housing	1	PBT(UL94V-0)	Black



PROPRIETARY AND CONFIDENTIAL  
 THE INFORMATION CONTAINED IN THIS DRAWING IS THE SOLE PROPERTY OF AUK AND SHALL NOT BE DISTRIBUTED, REPRODUCED, OR DISCLOSED IN WHOLE OR IN PART WITHOUT PRIOR WRITTEN PERMISSION OF AUK.

**AUK** A MEMBER OF AUK GROUP  
**太聯事業股份有限公司**  
**AUK CONTRACTORS CO., LTD.**

CATEGORY	APPROVED BY	UNLESS OTHERWISE SPECIFIED TOLERANCES ARE		
PART No. DCJXXK-70-H	MEI	.X ±0.50 X.* ±5*	△ A2	Modify Data HZF 01/24/2024
DRAWING No. △ DCJXXK-70-H(DIA2.0,2.5,3.0)	CHECKED BY HZF	.XX ±0.30 .X.* ±3*	△ A1	Modify D/N:DCJXXK-70-H(DIA2.0,2.5,2.95) --> DCJXXK-70-H(DIA2.0,2.5,3.0) HZF 01/02/2018
SCALE NONE	DRAWING BY CYP	.XXX ±0.15 .XX* ±2*	△ A0	NEW RELEASE HZF 11/26/2015
REV. A2	UNIT mm		NO. REV.	REVISIONS
			CHK	DATE