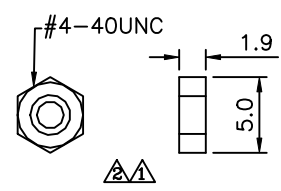
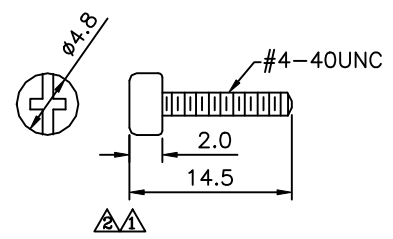
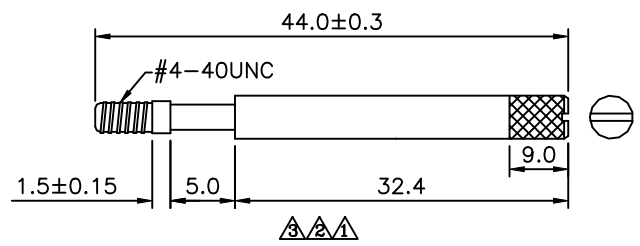
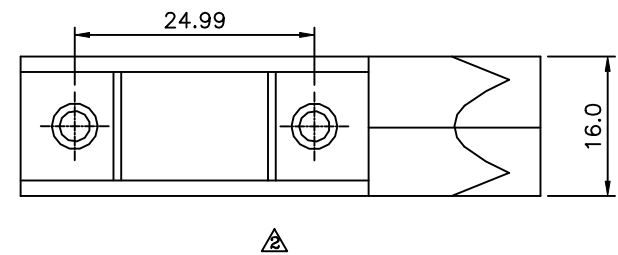
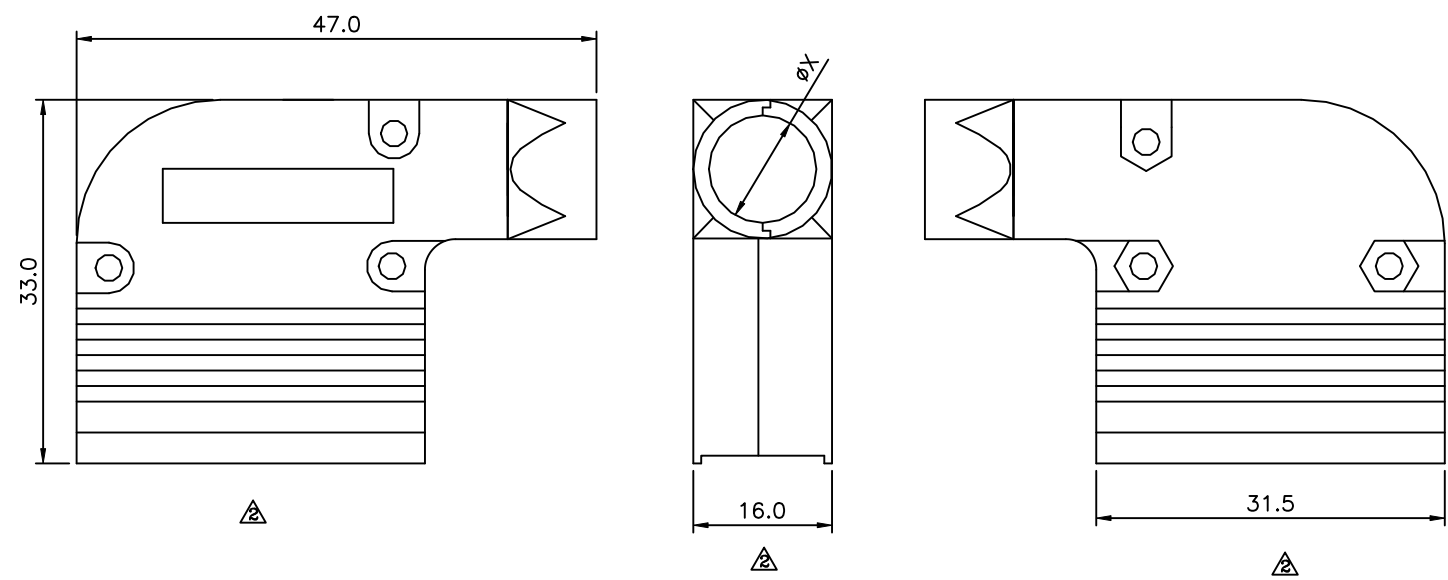


△ SPECIFICATION
 Material: Zinc Alloy, Nickel Plated
 Screw: Steel, Nickel Plated
 RoHS Compliant

- △ DHA R 09 DXX - H**
 (1) (2) (3) (4) (5)
 (1) DHA: D-SUB Zinc Alloy Hood A Type
 (2) R: Cable Outlet 90°
 (2) 09: No. Of Position
 (4) DXX: Cable O.D. (Dim. X)
 D06: Cable O.D. 6.0mm
 D07: Cable O.D. 7.5mm
 D09: Cable O.D. 9.0mm
 D11: Cable O.D. 11.0mm
 (5) H: RoHS Compliant



PROPRIETARY AND CONFIDENTIAL
 THE INFORMATION CONTAINED IN THIS DRAWING IS THE SOLE PROPERTY OF AUK AND SHALL NOT BE DISTRIBUTED, REPRODUCED, OR DISCLOSED IN WHOLE OR IN PART WITHOUT PRIOR WRITTEN PERMISSION OF AUK.

AUK A MEMBER OF AUK GROUP
太聯事業股份有限公司
AUK CONTRACTORS CO., LTD.

CATEGORY		APPROVED BY	UNLESS OTHERWISE SPECIFIED TOLERANCES ARE X. ±0.5 .X ±0.3 .XX ±0.2 ANG. ±5°					
PART No. DHAR09DXX-H		CHECKED BY HZF		EMILY	△ A3	Modify Data	HZF	02/23/2024
DRAWING No. DHAR09DXX-H		DRAWING BY CYP			△ A2	Modify Data	HZF	07/21/2015
SCALE NONE		REV.		A3	△ A1	Add Screw Drawing	INGRID	12/31/2007
				△ A0	NEW RELEASE	BECKY	09/10/2004	
NO.	REV.	REVISIONS		CHK	DATE			