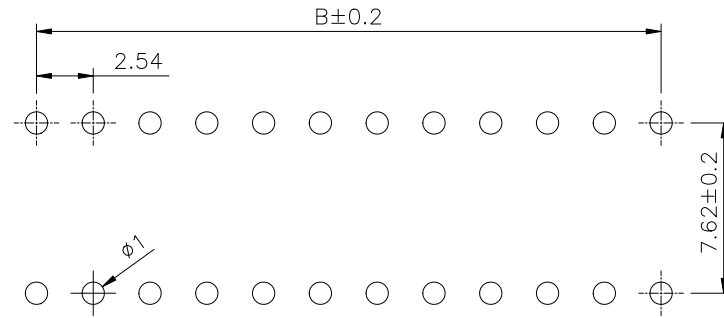
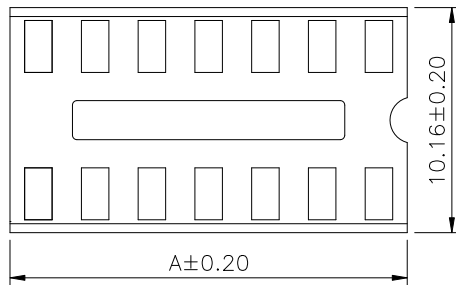


△ SPECIFICATION

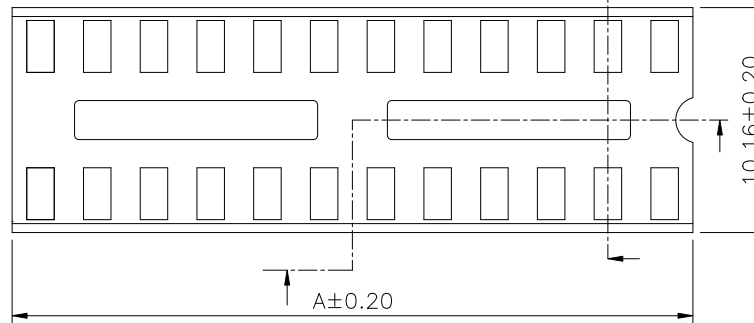
Current Rating:1A  
 Dielectric Withstanding Voltage:1000V RMS/Minute  
 Insulator Resistance:5000 Megaohms Min.  
 Contact Resistance:20 Milliohms Initial.  
 30 Milliohms After Test  
 Operating Temperature:-55°C To 85°C  
 Contact:Phosphor Bronze,Tin Plated Over Nickel  
 Insulator:PBT(UL94V-0)  
 RoHS Compliant



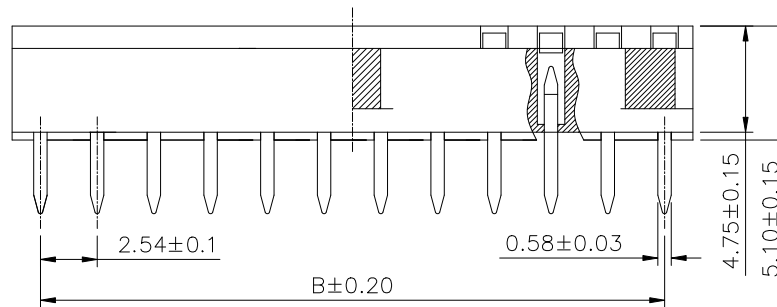
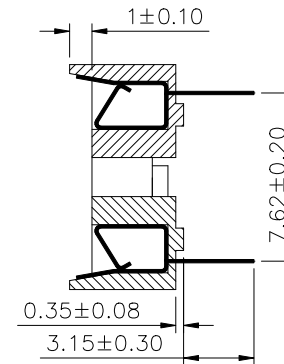
Recommended P.C.B. Layout



△ 6,8,14,16,18,20 Pin (Without Bar)



△ 24,28 Pin(Have One Bar)



△ IC 03 XX - H  
 (1) (2) (3) (4)

- (1) IC:2.54mm IC Socket DIP Straight
- (2) 03:Width 0.3 Inch
- (3) XX:NO. Of Position
- (4) H:RoHS Compliant

△ Pin	A	B
06	7.62	5.08
08	10.16	7.62
14	17.78	15.24
16	20.32	17.78
18	22.86	20.32
20	25.40	22.86
24	30.48	27.94
28	35.56	33.02

PROPRIETARY AND CONFIDENTIAL  
 THE INFORMATION CONTAINED IN THIS DRAWING IS THE SOLE PROPERTY OF AUK AND SHALL NOT BE DISTRIBUTED,  
 REPRODUCED, OR DISCLOSED IN WHOLE OR IN PART WITHOUT PRIOR WRITTEN PERMISSION OF AUK.

**AUK** A MEMBER OF AUK GROUP  
**太聯事業股份有限公司**  
**AUK CONTRACTORS CO., LTD.**

CATEGORY		APPROVED BY	UNLESS OTHERWISE SPECIFIED TOLERANCES ARE .X ±0.38 .XX ±0.25 ANG.			
PART No. △ IC03XX-H		MEI				
DRAWING No. IC03XX-H		CHECKED BY				
SCALE NONE		HZF				
REV. A1		DRAWING BY	CYP	△ A1	Modify P/N:IC0324-28 --> IC03XX-H Add IC0306-20	
				△ A0	NEW RELEASE	
				NO.REV.	REVISIONS	
				CHK	DATE	