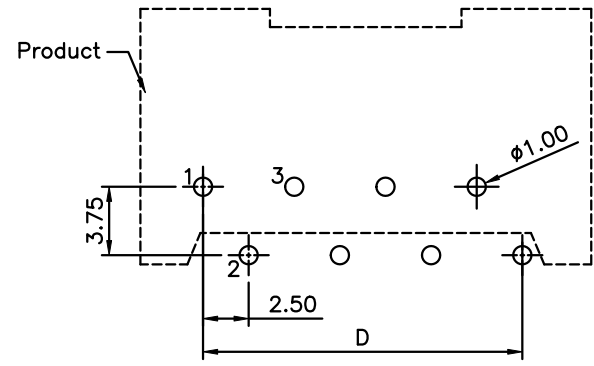
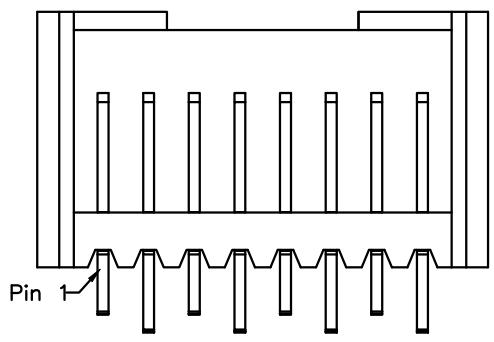
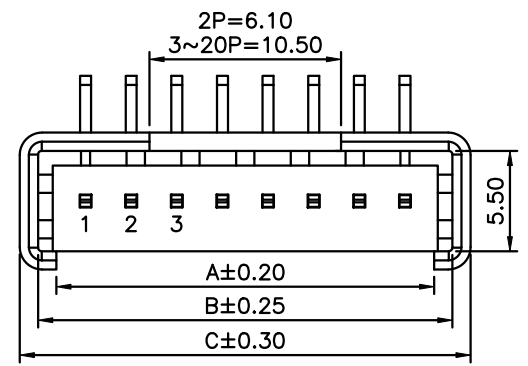


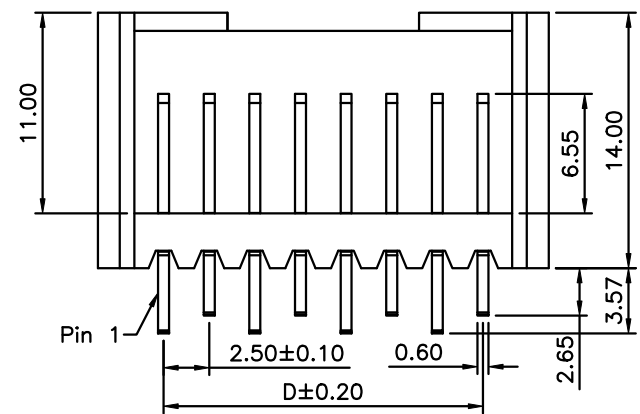
Recommended P.C.B. Layout(Top Side)
(PCB Board Tolerance ± 0.05)



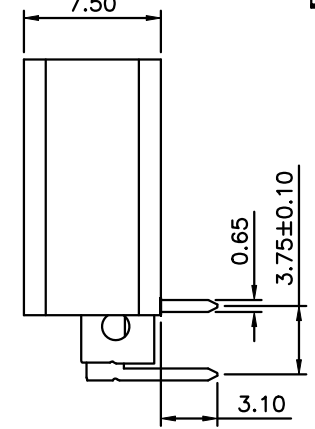
Recommended P.C.B. Layout(Top Side)
(PCB Board Tolerance ± 0.05)



Reveres PCB Layout



Standard PCB Layout



SPECIFICATION
 Current Rating:5.0 Amp
 Withstand Voltage:1500V AC/DC
 Contact Resistance:10 Milliohms Max.
 Insulation Resistance:1000 Megaohms Min.
 Operation Temperature:-40°C~+105°C
 Contact:Brass,Tin Plated Over Nickel
 Insulator:PBT+30%G.F.(UL94V-0),Gray
 RoHS Compliant

- LUMSQ XX R X - X - H
 (1) (2)(3) (4) (5) (6)
 (1) LUMSQ:2.50mm LUMSQ Series
 (2) XX: No. Of Position
 (3) R:DIP Right Angle
 (4) X:Without Latch
 (5) X:PCB Layout Option
 R:Reveres PCB Layout
 L:Standard PCB Layout
 (6) H: RoHS Compliant

| Pin | A | B | C | D |
|-----|-------|-------|-------|-------|
| 2 | 5.70 | 7.70 | 9.70 | 2.50 |
| 3 | 8.20 | 10.20 | 12.20 | 5.00 |
| 4 | 10.70 | 12.70 | 14.70 | 7.50 |
| 5 | 13.20 | 15.20 | 17.20 | 10.00 |
| 6 | 15.70 | 17.70 | 19.70 | 12.50 |
| 7 | 18.20 | 20.20 | 22.20 | 15.00 |
| 8 | 20.70 | 22.70 | 24.70 | 17.50 |
| 9 | 23.20 | 25.20 | 27.20 | 20.00 |
| 10 | 25.70 | 27.70 | 29.70 | 22.50 |
| 11 | 28.20 | 30.20 | 32.20 | 25.00 |
| 12 | 30.70 | 32.70 | 34.70 | 27.50 |
| 13 | 33.20 | 35.20 | 37.20 | 30.00 |
| 14 | 35.70 | 37.70 | 39.70 | 32.50 |
| 15 | 38.20 | 40.20 | 42.20 | 35.00 |
| 16 | 40.70 | 42.70 | 44.70 | 37.50 |
| 17 | 43.20 | 45.20 | 47.20 | 40.00 |
| 18 | 45.70 | 47.70 | 49.70 | 42.50 |
| 19 | 48.20 | 50.20 | 52.20 | 45.00 |
| 20 | 50.70 | 52.70 | 54.70 | 47.50 |

AUK A MEMBER OF AUK GROUP
太聯事業股份有限公司
AUK CONTRACTORS CO., LTD.

| | | | | |
|------------------------------|------|-------------|----|---|
| CATEGORY | | APPROVED BY | | UNLESS OTHERWISE SPECIFIED TOLERANCES ARE .X ± 0.40 .XX ± 0.25 .XXX ± 0.15 ANG. $\pm 3^\circ$ |
| PART No. LUMSQXXRX-X-H | | MEI | | |
| DRAWING No. LUMSQXXRX-X-H | | HZF | | |
| | | CYP | | |
| SCALE | NONE | REV. | A0 | UNIT mm |

| | | | | |
|------|------|-------------|-----|------------|
| NO. | REV. | REVISIONS | CHK | DATE |
| △ A0 | | NEW RELEASE | HZF | 02/11/2016 |