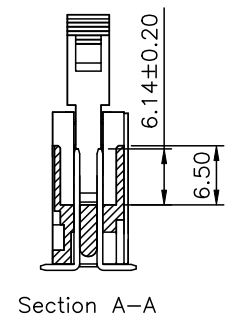
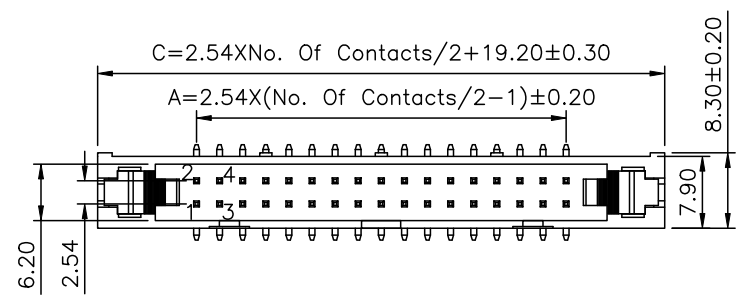
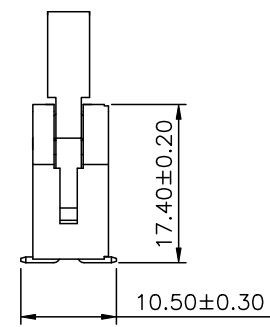
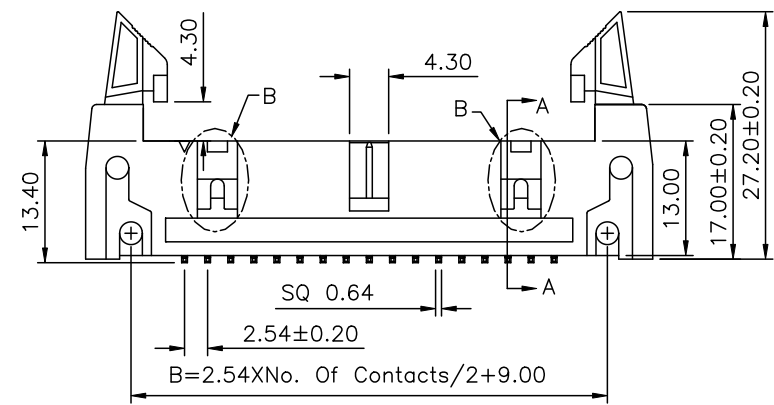


SPECIFICATION
 Current Rating:3 Amp
 Withstand Voltage:500V AC/Minute
 Contact Resistance:20 Milliohms Max.
 Insulation Resistance:1000 Megaohms Min.
 Operation Temperature:-40°C~+105°C
 Insulator:PA6T+30%G.F.(UL94V-0),Black
 Contact:Brass,Gold Flash Over Nickel
 Less Than 18 Pin Without Slot "B"
 RoHS Compliant



- L V XX S - H
 (1) (2) (3) (4) (5)
- (1) L:2.54mm Latch Header
 - (2) V:SMT Straight
 - (3) XX:No. Of Position
 - (4) S:With Short Ejector
 - (5) H:RoHS Compliant



Pin	A	B	C
10	10.16	21.70	31.90
12	12.70	24.24	34.44
14	15.24	26.78	36.98
16	17.78	29.32	39.52
18	20.32	31.86	42.06
20	22.86	34.40	44.60
22	25.40	36.94	47.14
24	27.94	39.48	49.68
26	30.48	42.02	52.22
30	35.56	47.10	57.30
34	40.64	52.18	62.38
40	48.26	59.80	70.00
44	53.34	64.88	75.08
50	60.96	72.50	82.70
60	73.66	85.20	95.40
64	78.74	90.28	100.48

PROPRIETARY AND CONFIDENTIAL
 THE INFORMATION CONTAINED IN THIS DRAWING IS THE SOLE PROPERTY OF AUK AND SHALL NOT BE DISTRIBUTED, REPRODUCED, OR DISCLOSED IN WHOLE OR IN PART WITHOUT PRIOR WRITTEN PERMISSION OF AUK.

AUK A MEMBER OF AUK GROUP
太聯事業股份有限公司
AUK CONTRACTORS CO., LTD.

CATEGORY	APPROVED BY	UNLESS OTHERWISE SPECIFIED TOLERANCES ARE			
PART No. LVXXS-H	MEI	.X ±0.30			
DRAWING No. LVXXS-H	CHECKED BY HZF	.XX ±0.20			
SCALE NONE	DRAWING BY CYP	ANG.			
REV.	NO.	UNIT mm	NO. REV.	REVISIONS	DATE
	A0	NEW RELEASE		HZF	05/23/2020