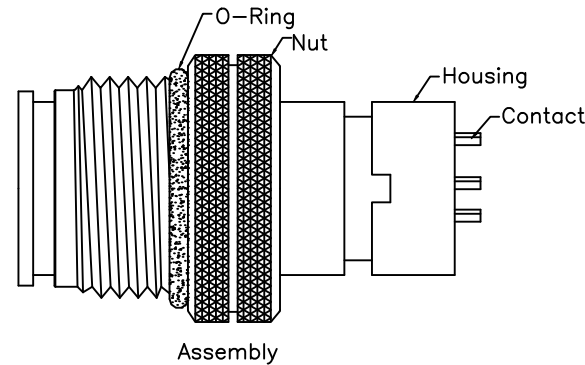


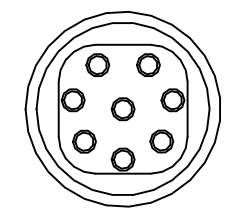
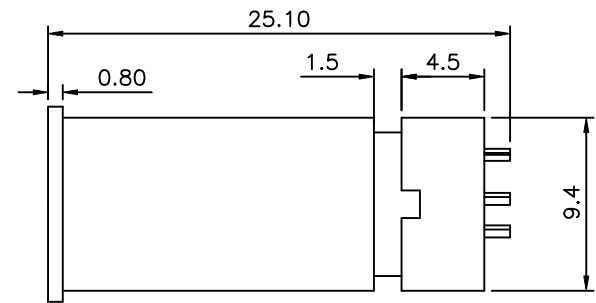
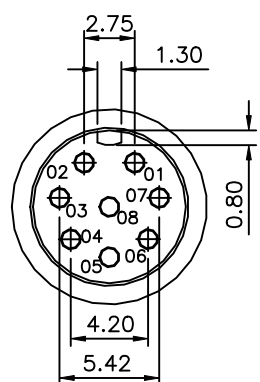
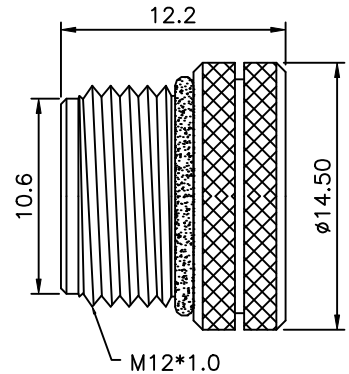
**SPECIFICATION**

Current Rating:5 Amp  
 Rated Voltage:125V  
 Water Proof:IPX8  
 Operation Temperature:-40°C~+85°C  
 Housing:PBT,UL94V-0,Black  
 Contact:Brass,Gold Plated Over Nickel  
 Nut:Brass,Nickel Plated  
 O-Ring:Epom;Color:Black  
 Epoxy Base:EF400A&EF400B,Color:Black  
 RoHS Compliant



M12 A P S - 08 P S-WP-H  
 (1) (2) (3) (4) (5)(6)(7) (8) (9)

- (1) M12:M Series Sensor Connector M12 Type
- (2) A:A Coding
- (3) P:Plug Type
- (4) S:Screw Type
- (5) 08:No. Of Position
- (6) P:Male
- (7) S:Solder Wire Type
- (8) WP:Waterproof Type
- (9) H:RoHS Compliant



PROPRIETARY AND CONFIDENTIAL  
 THE INFORMATION CONTAINED IN THIS DRAWING IS THE SOLE PROPERTY OF AUK AND SHALL NOT BE DISTRIBUTED, REPRODUCED, OR DISCLOSED IN WHOLE OR IN PART WITHOUT PRIOR WRITTEN PERMISSION OF AUK.

**AUK** A MEMBER OF AUK GROUP  
**太聯事業股份有限公司**  
**AUK CONTRACTORS CO., LTD.**

CATEGORY		APPROVED BY		UNLESS OTHERWISE SPECIFIED TOLERANCES ARE .X ±0.30 .XX ±0.20				
PART No. M12APS-08PS-WP-H		MEI						
DRAWING No. M12APS-08PS-WP-H		HZF						
SCALE		REV.		CYP	UNIT	NO.REV.	NO. REV.	NO. REV.
NONE		A0		mm	mm	A0	NEW RELEASE	NO. REV.
							REVISIONS	NO. REV.
							CHK	NO. REV.
							DATE	NO. REV.
								NO. REV.

NO. REV. A0 NEW RELEASE HZF 09/24/2020  
 NO. REV. REVISIONS CHK DATE